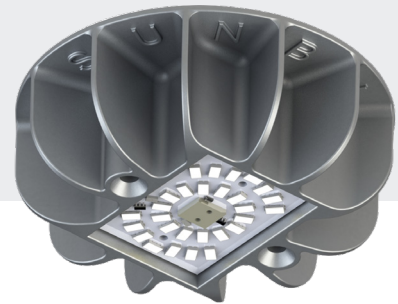




SUNBIRD® Luminaires
Always a good choice

www.sunbirdLED.com

SUNBIRD® Luminaire



The SUNBIRD® LED Luminaire offers the modern poultry farmer the most robust, efficient and long-lasting product available. Trusted around the world with Industry leading 185 Lumen Per Watt, 100 000-hour plus lifespan and a 5-year guarantee make SUNBIRD® the right choice.

Benefits:

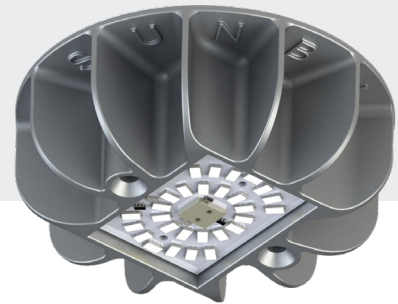
- **Energy Savings (185lm/W efficacy)**
The SUNBIRD® luminaire is up to 90% more energy efficient compared to conventional incandescent lamps, offering huge energy savings and reducing the carbon footprint of poultry lighting
- **Quick & Easy Installation**
Ease of install was a top priority in the development of the SUNBIRD® System. The light attaches directly onto a round 50mm Junction box (customization of base plate is available) or can be suspended
- **IP69K & Chemical Protection**
Offering user peace of mind after installation, all SUNBIRD® Luminaires have undergone rigorous testing to assure perfect protection against dust and water as well as chemicals (pH1-13)
- **Surge & Voltage Protection**
The industrial 48V power supply offers protection from overload, over voltage and short circuits
- **Built to Last (→100 000 hours)**
SUNBIRD® Luminaires are backed by a 5 Year manufacturers guarantee with a minimum 100 000 hour rated lifespan (Lumen output 70% @ 100khrs)



SUNBIRD® Luminaires
Always a good choice

www.sunbirdLED.com

SUNBIRD® 5W/10W Luminaire



Specifications:

DESCRIPTION	SUNBIRD® 5W/10W Poultry Lamp
CATEGORY	Agricultural Lighting
PRODUCT CODE	AG0301/2
HOUSING DIMENSIONS	35mm (height) x 100mm (diameter)
CASING MATERIAL	Die Cast Aluminium, Advanced Composite Resin
LED MANUFACTURER	Osram Opto Semi Conductors
LED TYPE	Single Colour 120mA
LUMINOUS FLUX (Lm)	925Lm (Typical) 5W, 1850Lm (Typical) 10W
COLOUR TEMPERATURE	2700°K 5000°K
LED EFFICIENCY (Lm/W)	185 Lm/W (Typical)
CRI	
LUMEN MAINTENANCE AFTER 100KH	70% at 60°C ambient max
BEAM ANGLE	150°
LED POWER CONSUMPTION (W)	5W = 4.8W , 10W = 10.5W
TOTAL POWER CONSUMPTION	5W = 5.7W, 10W = 12W
VOLTAGE (V)	48VDC
IP RATING	IP69K (Powerful High Temperature Water Jets)
DIMMING	0-100%
SPECIAL FEATURES	Chemical Resistant, Screw Onto Standard 50mm Junction Box or Suspended, Dimmable
ACCESSORIES	48V DC Regulated Driver, Dimmable with SUNBIRD® Approved 3-in-1 Dimmer
CERTIFICATION	(IEC62717/EU874/2012/EU1194/2012/IEC60598-2-1)
GUARANTEE	5 Years on LEDs and Manufacturing Defects
NOTE	The SUNBIRD® Poultry Light is Exclusively Designed and Manufactured in South Africa

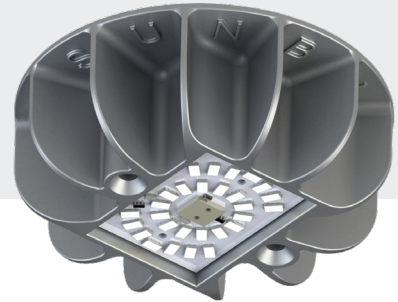
Information given on this spec sheet is based on the LED manufacturer's information and can change without notice. Efficiency is based on a 25° ambient temperature and can vary depending on environment. Lifespan is calculatively estimated and our LEDs will not exceed 80° C unless intentionally designed that way.



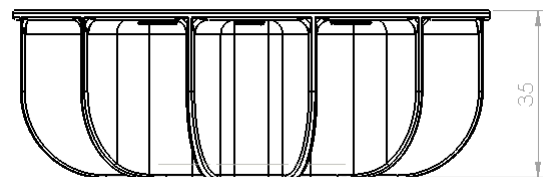
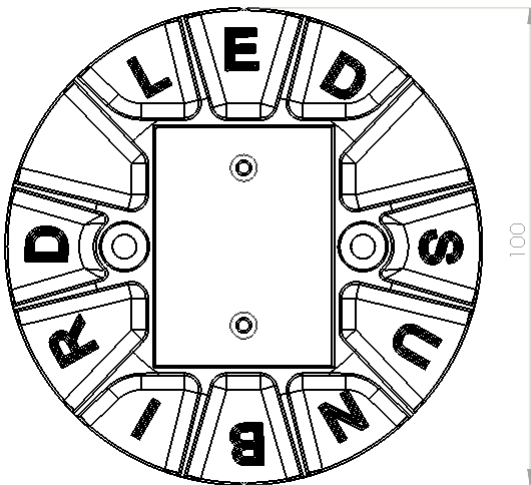
SUNBIRD® Luminaires
Always a good choice

www.sunbirdLED.com

SUNBIRD® 5W/10W Luminaire



Technical Drawings:





SUNBIRD® Luminaires
Always a good choice

www.sunbirdLED.com



SUNBIRD® 2W Aviary Light

The SUNBIRD® 2W Aviary light has been designed as a robust and highly efficient alternative to strip or rope lighting for Aviary systems.

With an impact resistant aluminium and polycarbonate casing, a staggering 205 Lumen per watt, a 5-year guarantee, a 100 000 hour plus lifespan and an IP69K rating, there is simply no better alternative on the market.

Installation couldn't be easier with the lights simply crimping onto the SUNBIRD® Illumination cable where required.

The Aviary light is fully dimmable from 0-100% on the SUNBIRD® dimmer.



SUNBIRD® Luminaires
Always a good choice

www.sunbirdLED.com



SUNBIRD® 2W Aviary Light

Specifications:

DESCRIPTION	SUNBIRD® 2W Aviary Light
CATEGORY	Agricultural Lighting
PRODUCT CODE	SB3WV6
HOUSING DIMENSIONS	75mm (length) x 27mm (width) x 22.5mm (height)
CASING MATERIAL	Aluminium Casing, Polycarbonate Cover
LED MANUFACTURER	Osram Opto Semi Conductors
LED TYPE	Single Colour 65mA
LUMINOUS FLUX (Lm)	2700k: min 704, max 968 5000k: min 792, max 1056
COLOUR TEMPERATURE	2700°K 5000°K
LED EFFICIENCY (Lm/W)	205Lm/W @ 65mA
CRI	80 min, 82 typical
LUMEN MAINTENANCE AFTER 100KH	70% at 60°C ambient max
BEAM ANGLE	120°
LED POWER CONSUMPTION (W)	2W
TOTAL POWER CONSUMPTION	2W @48V; 2W @ 36V
VOLTAGE (V)	48-36VDC
IP RATING	IP69K (Powerful High Temperature Water Jets)
DIMMING	0-100%
SPECIAL FEATURES	Chemical and Water Resistant. Screwless Installation. Self Setting Power Connector
ACCESSORIES	48V DC Regulated Driver, Dimmable with SUNBIRD® approved 3-in-1 dimmer. Rodent Proof Illumination Cable and Crimping Tool
CERTIFICATION	(IEC62717/EU874/2012/EU1 194/2012/IEC60598 2 1)
GUARANTEE	5 Years on LEDs and Manufacturing Defects
NOTE	The SUNBIRD® Poultry Light is Exclusively Designed and Manufactured in South Africa

Information given on this spec sheet is based on the LED manufacturer's information and can change without notice. Efficiency is based on a 25° ambient temperature and can vary depending on environment. Lifespan is calculatively estimated and our LEDs will not exceed 80° C unless intentionally designed that way.



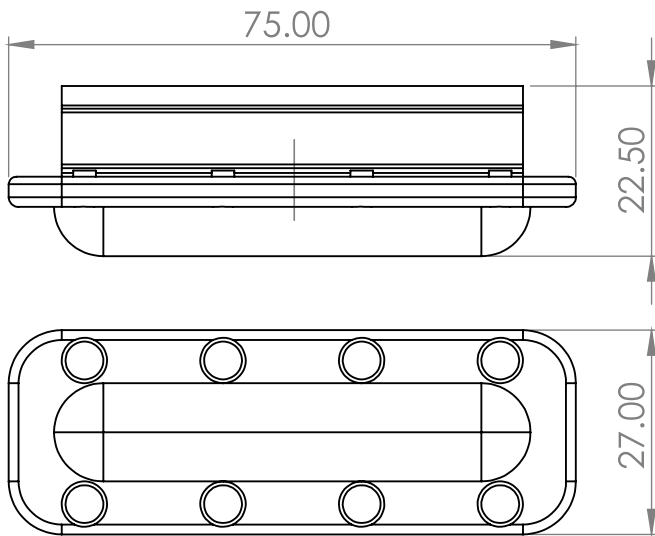
SUNBIRD® Luminaires
Always a good choice

www.sunbirdLED.com



SUNBIRD® 2W Aviary Light

Technical Drawings:



Total weight: 32g