

# RSM-5c Meter Kits

- Single-Phase kWh (100A and 200A )
- 3-Phase kWh
- 3-Phase kWh and Demand (1600 and 3200 AMP service only)
- **3-Phase kWh and Demand (100A, 200A, 400A, 800A)**



### Specifications:

- 3-phase kWh and Demand meter with CTs
- 120/208V, 120/240V, 277/480V and 480V DELTA
- 100 amp, 200 amp, 400 amp and 800 amp\*
- Split core CTs included
- 6.9"H x 9.8"W x 4.9"D
- \*1600 amp and 3200 amp also available

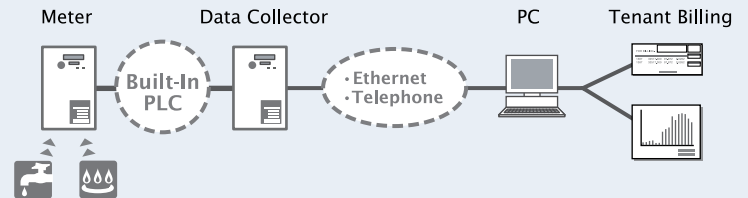
The **RSM-5c** 3-phase demand meter is an accurate and reliable digital electric meter. This compact device provides kWh registers, peak demand registers and 15-minute data-logging. It is easy to install and operate and it also delivers real-time power diagnostics by phase. All metering data are securely stored in a non-volatile flash memory.

## Features / Benefits

- Commercial / Industrial utility-grade kWh meter; Revenue-grade accuracy (ANSI C12.1)
- 15-minute interval data; peak demand with date and time stamp
- Real-time power diagnostics by phase (Voltage, current, phase angle, power factor, THD, watts, VARs, VA and frequency)
- Event reporting (power downs, demand resets, tamper, etc.)
- Non-volatile flash memory
- Built-in Power Line Communications (PLC) for optional remote meter reading
- Communicates through distribution transformers (480/120V)
- Easy to install with mounting provisions
- Rugged steel enclosure with pad lock hasp
- Installation verification at the meter
- On site: optical port for downloading meter data
- Three-year manufacturer's warranty
- UL, UL-C, Approved by California Div. Of Measurement Standards, Maryland Public Service Commission
- Options: Pulse data inputs for water, gas, BTU
- Factory programmable Time-of-Use / Time-of-Day ("TOU" "TOD")

### PLC System Option for Remote Reading

All of Quadlogic's metering devices function as stand-alone units or can be used for remote reading with the simple addition of a Scan Transponder (data collector) and communication software. No additional wiring is required. Contact your representative for more information.



## Model Numbers

Includes meterhead, fuse block, back box and required current transformers.

Meter Type    Volts    Amps    # of split core CTs included

**RSM5c 120 400 -3 D** Demand Meter

### 3-Phase kWh and Demand Meter - Wye 3P/4W

Catalog #	Volts	Amps	kWh & Demand	CT Model
RSM5c 120100-3D	120/208V	100	√√	CTSP2
RSM5c 120200-3D		200	√√	CTSP2
RSM5c 120400-3D		400	√√	CTSP4
RSM5c 120800-3D		800	√√	CTSP6
RSM5c 277100-3D	277/480V	100	√√	CTSP2
RSM5c 277200-3D		200	√√	CTSP2
RSM5c 277400-3D		400	√√	CTSP4
RSM5c 277800-3D		800	√√	CTSP6

### 3-Phase kWh and Demand Meter - DELTA 3P/3W

Catalog #	Volts	Amps	kWh & Demand	CT Model
RSM5c 480DTA100-2D	480V	100	√√	CTSP2
RSM5c 480DTA200-2D		200	√√	CTSP2
RSM5c 480DTA400-2D		400	√√	CTSP4
RSM5c 480DTA800-2D		800	√√	CTSP6

### Outdoor Enclosure (NEMA 4X)

Catalog #
RSM5c 4X ENC



QUADLOGIC

Tel (212) 930-9300

Fax (212) 930-9394

RSM5cKit\_3PD\_Rev5.0.R

www.quadlogic.com

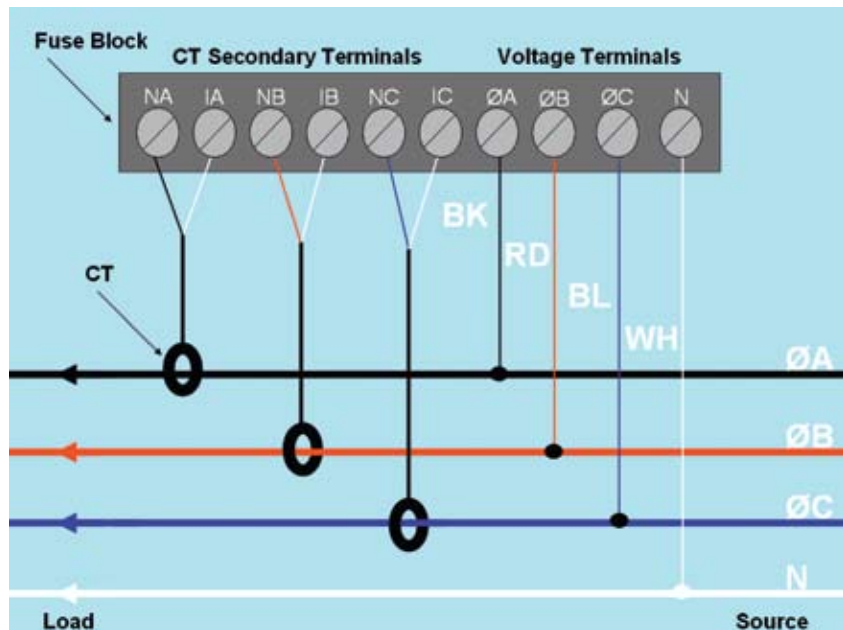
# RSM-5c Meter Kits

- Single-Phase kWh (100A and 200A )
- 3-Phase kWh
- 3-Phase kWh and Demand (1600 and 3200 AMP service only)
- **3-Phase kWh and Demand (100A, 200A, 400A, 800A)**

## 3-Phase 4-Wire Wye



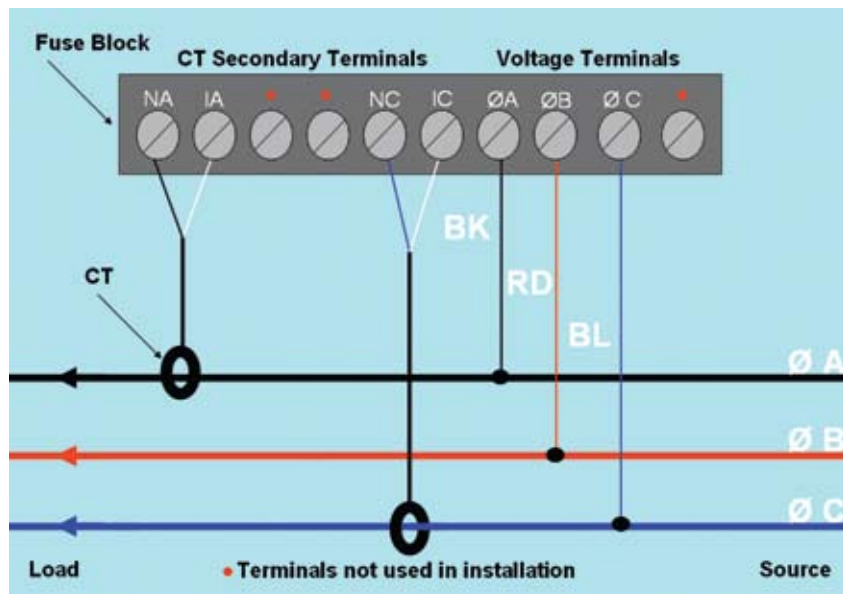
### Fuse Block Connections: RSM- 5c 3-Phase 4-Wire Wye



## 3-Phase 3-Wire Delta



### Fuse Block Connections: RSM- 5c 3-Phase 3-Wire Delta



Diagrams are for reference only.

For complete installation instructions, please read the **RSM-5c Kit & RSM-5 Kit Installation Manual**.