

RSM-5c Meter Kits

- Single-Phase kWh
- 3-Phase Demand
- 3-Phase kWh and Demand (1600 and 3200 AMP service only)

● 3-Phase kWh (100A, 200A, 400A, 800A)



The **RSM-5c** 3-phase kWh meter is an accurate and reliable digital electric kilowatt-hour meter. It is easy to install and operate and it also delivers real-time power diagnostics by phase. All metering data are securely stored in a non-volatile flash memory.

Specifications:

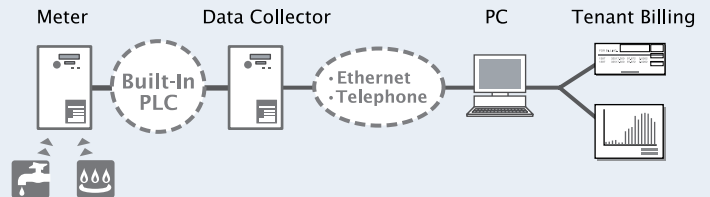
- 3-phase kWh meter with CTs
- 120/208V, 120/240V, 277/480V and 480V DELTA
- 100 amp, 200 amp, 400 amp and 800 amp*
- Split or Solid core CTs included
- 6.9"H x 9.8"W x 4.9"D
- *1600 amp and 3200 amp also available

Features/Benefits

- Commercial / Industrial utility-grade kWh meter; Revenue-grade accuracy (ANSI C12.1)
- Real-time power diagnostics by phase (Voltage, current, phase angle, power factor, THD, watts, VARs, VA and frequency)
- Event reporting (power downs, demand resets, tampers, etc.)
- Non-volatile flash memory
- Built-in Power Line Communications (PLC) for optional remote meter reading
- Communicates through distribution transformers (480/120V)
- Easy to install with mounting provisions
- Rugged steel enclosure with pad lock hasp
- Installation verification at the meter
- On site: optical port for downloading meter data
- Three-year manufacturer's warranty
- UL, UL-C, Approved by California Div. Of Measurement Standards, Maryland Public Service Commission
- Options: Pulse data inputs for water, gas, BTU

PLC System Option for Remote Reading

All of Quadlogic's metering devices function as stand-alone units or can be used for remote reading with the simple addition of a Scan Transponder (data collector) and communication software. No additional wiring is required. Contact your representative for more information.



Catalog Numbers

Includes meterhead, fuse block, back box and required current transformers.

Meter Type Volts Amps

RSM5c 120 400 -3

of CTs included

(All CTs are split core unless followed by "SL", indicating solid core.)

3-Phase kWh Meter - Wye 3P/4W

Catalog #	Volts	Amps	kWh Only	CT Model
RSM5c 120100-3	120/208V	100	✓	CTSP2
RSM5c 120200-3	120/208V	200	✓	CTSP2
RSM5c 120400-3	120/208V	400	✓	CTSP4
RSM5c 120800-3	120/208V	800	✓	CTSP6
RSM5c 277100-3	277/480V	100	✓	CTSP2
RSM5c 277200-3	277/480V	200	✓	CTSP2
RSM5c 277400-3	277/480V	400	✓	CTSP4
RSM5c 277800-3	277/480V	800	✓	CTSP6
RSM5c 120100-3SL	120/208V	100	✓	CTSL3
RSM5c 120200-3SL	120/208V	200	✓	CTSL3
RSM5c 277100-3SL	277/480V	100	✓	CTSL3
RSM5c 277200-3SL	277/480V	200	✓	CTSL3

3-Phase kWh Meter - DELTA 3P/3W

Catalog #	Volts	Amps	kWh Only	CT Model
RSM5c 480DTA100-2	480V	100	✓	CTSP2
RSM5c 480DTA200-2		200	✓	CTSP2
RSM5c 480DTA400-2		400	✓	CTSP4
RSM5c 480DTA800-2		800	✓	CTSP6

Outdoor Enclosure (NEMA 4X)

Catalog #
RSM5c 4X ENC



QUADLOGIC

Tel (212) 930-9300

Fax (212) 930-9394

RSM5cKit_3PkwH_Rev5.0.R

www.quadlogic.com

RSM-5c Meter Wiring

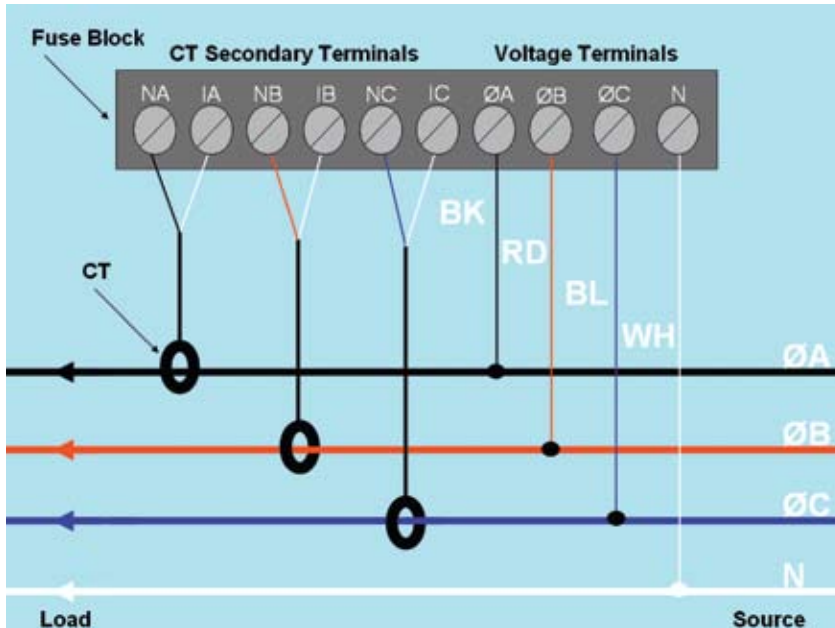
- Single-Phase kWh
- 3-Phase Demand
- 3-Phase kWh and Demand (1600 and 3200 AMP service only)

● 3-Phase kWh

3-Phase 4-Wire Wye



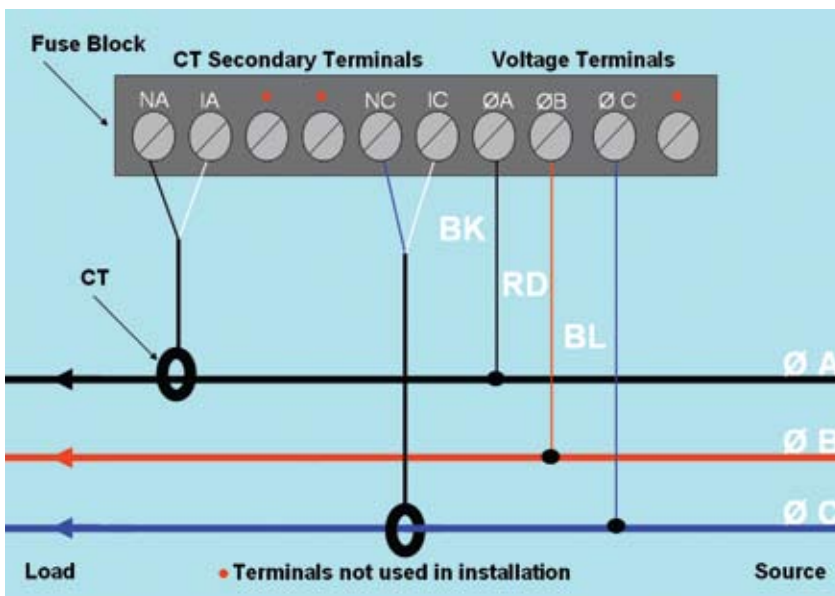
Fuse Block Connections: RSM- 5c 3-Phase 4-Wire Wye



3-Phase 3-Wire Delta



Fuse Block Connections: RSM- 5c 3-Phase 3-Wire Delta



Diagrams are for reference only.

For complete installation instructions, please read the **RSM-5c Kit & RSM-5 Kit** Installation Manual.