

RSM-5c Meter Kits

- 3-Phase kWh
- 3-Phase kWh and Demand (100A, 200A, 400A, 800A)
- 3-Phase kWh and Demand (1600 and 3200 AMP service only)

● Single-Phase kWh (100A and 200A)



Specifications:

- Single-phase kWh meter with CTs
- 120/208V, 120/240V and 277/480V
- 100 amp and 200 amp
- Solid core CTs included
- 6.9"H x 9.8"W x 4.9"D

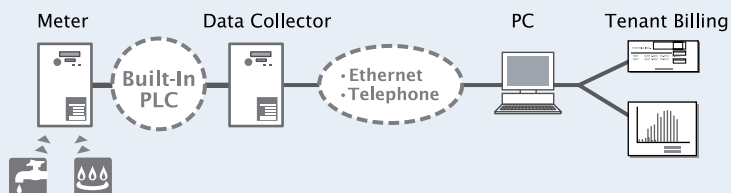
The **RSM-5c** single-phase kWh meter is an accurate and reliable digital electric kilowatt-hour meter. It is easy to install and operate and it also delivers real-time power diagnostics. All metering data are securely stored in a non-volatile flash memory.

Features/Benefits

- Commercial / Industrial utility-grade kWh meter; Revenue-grade accuracy (ANSI C12.1)
- Real-time power diagnostics (Voltage, current, phase angle, power factor, THD, watts, VARs, VA and frequency)
- Event reporting (power downs, demand resets, tampers, etc.)
- Non-volatile flash memory
- Built-in Power Line Communications (PLC) for optional remote meter reading
- Communicates through distribution transformers (480/120V)
- Easy to install with mounting provisions
- Rugged steel enclosure with pad lock hasp
- Installation verification at the meter
- On site: optical port for downloading meter data
- Three-year manufacturer's warranty
- UL, UL-C, Approved by California Div. Of Measurement Standards, Maryland Public Service Commission

PLC System Option for Remote Reading

All of Quadlogic's metering devices function as stand-alone units or can be used for remote reading with the simple addition of a Scan Transponder (data collector) and communication software. No additional wiring is required. Contact your representative for more information.



Model Numbers

Includes meterhead, fuse block, back box and required current transformers.

Meter Type	Volts	Amps	# of CTs included	
RSM5c	120	200	-3	SL ● CTs are Solid Core

Single-Phase kWh Meter - Wye

Catalog #	Volts	Amps	kWh Only	CT Model
RSM5c 120100-2SL	120V/208V or	100	✓	CTSL3
RSM5c 120200-2SL	120V/240V	200	✓	CTSL3
RSM5c 277100-2SL	277/480V	100	✓	CTSL3
RSM5c 277200-2SL	277/480V	200	✓	CTSL3

Outdoor Enclosure (NEMA 4X)

Catalog #
RSM5c 4X ENC



QUADLOGIC

Tel (212) 930-9300

Fax (212) 930-9394

www.quadlogic.com

RSM5cKit_1PkWh_Rev4.0.R

RSM-5c Meter Kits

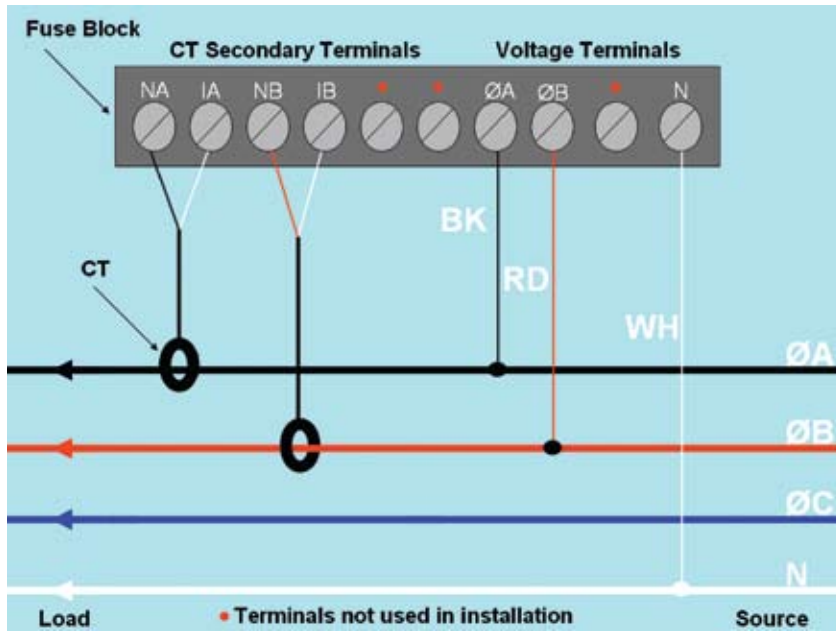
- 3-Phase kWh
- 3-Phase kWh and Demand (100A, 200A, 400A, 800A)
- 3-Phase kWh and Demand (1600 and 3200 AMP service only)

● Single-Phase kWh (100A and 200A)

Single-Phase 3-Wire Wye



Fuse Block Connections: RSM- 5c Single-Phase 3-Wire Wye



Diagrams are for reference only.

For complete installation instructions, please read the **RSM-5c Kit** & **RSM-5 Kit** Installation Manual.