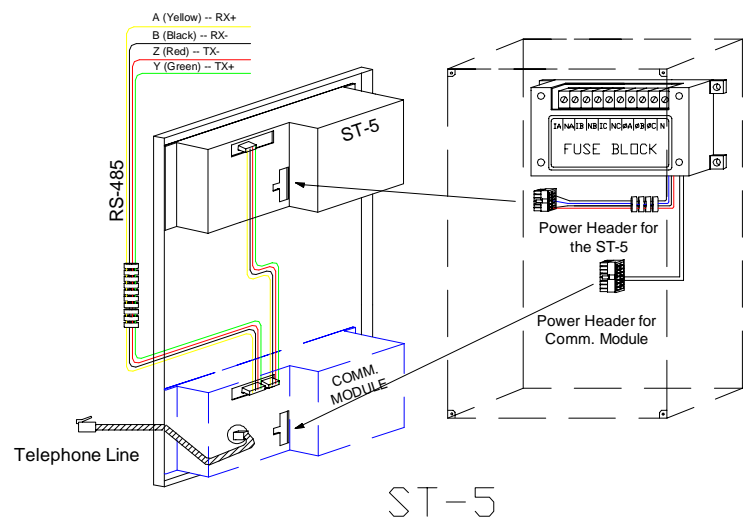
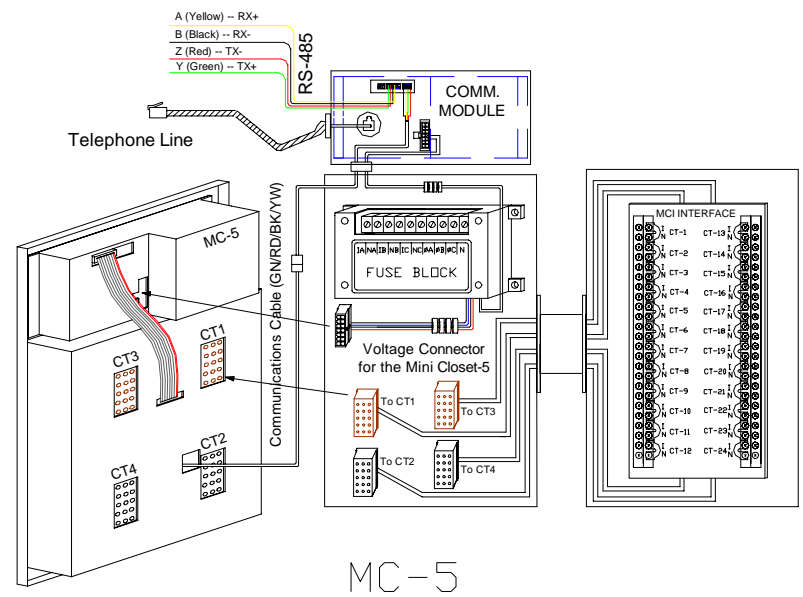
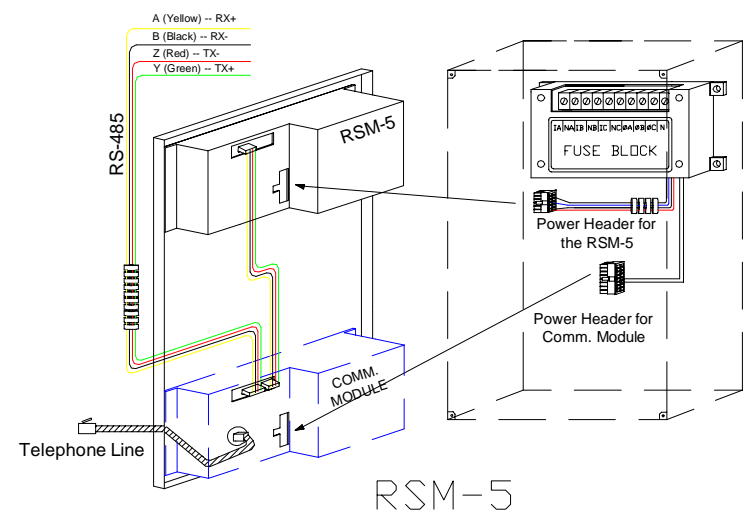


- Notes:
- 1) RS-485 cables must be connected in series (or Daisy Chain) with no "T" junction connections.
 - 2) RS-485 cables must be a Belden 9842, Belden 3087A or Delco 43902 or an equivalent standard. Cable runs must be less than 4000 ft.
 - 3) Terminating resistors are required at both ends of the data link. Each pair will need a 120-ohm resistor.
 - 4) Follow local codes for Installation Requirement, e.g. Conduit, Fused Disconnect, Distance and Wiring.



| REVISIONS | | | |
|-----------|-------------|------|----------|
| REV. | DESCRIPTION | DATE | APPROVED |
| 1 | | | |
| | | | |
| | | | |

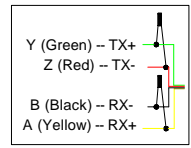
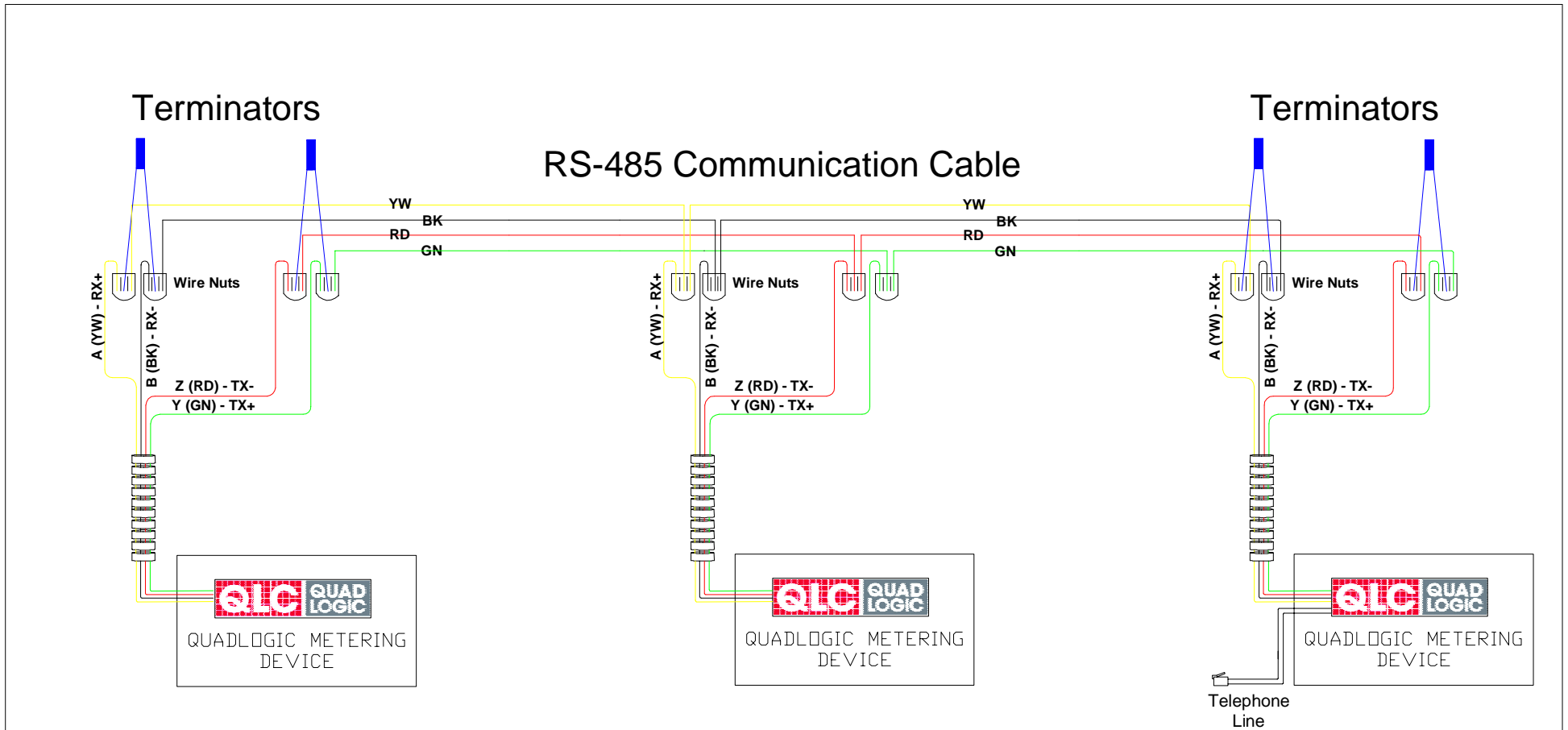


Figure 1. Data Link Terminator (120-ohm resistor) Connection.

| | | | |
|------------|------|--|--------------|
| | | Quaalogic Controls Corporation TITLE MC5/RSM5/ST5 MODEM | |
| SIGNATURES | | DATE | |
| MODEL | BKAU | 06/25/06 | |
| DETAIL | | SIZE | DRAWING |
| APPROVED | JKIM | 17-MODEM REV1 | |
| APPROVED | JREA | SCALE: | REV 1.0.R |
| | | | SHEET 1 of 1 |



Notes:

- 1) RS-485 cables must be connected in series (or Daisy Chain) with no "T" junction connections.
- 2) RS-485 cables must be a Belden 9842, Belden 3087A or Delco 43902 or an equivalent standard. Cable runs must be less than 4000 ft.
- 3) Terminating resistors are required at both ends of the data link. Each pair will need a 120-ohm resistor.
- 4) Follow local codes for Installation Requirement, e.g. Conduit, Fused Disconnect, Distance and Wiring.

| REVISIONS | | | |
|-----------|-------------|------|----------|
| REV. | DESCRIPTION | DATE | APPROVED |
| 1 | | | |
| | | | |
| | | | |

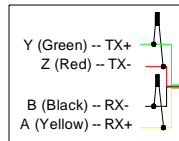


Figure 1. Data Link Terminator (120-ohm resistor) Connection.

| | | | |
|------------|------|--------------------------------|--------------------|
| | | Quadlogic Controls Corporation | TITLE |
| SIGNATURES | | DATE | MC5/RSM5/ST5 MODEM |
| MODEL | BKAU | 06/25/06 | SIZE DRAWING |
| DETAIL | | | REV 1.0,R |
| APPROVED | JKIM | 09/05/06 | 17-MODEM REV1 |
| APPROVED | JREA | 09/05/06 | SCALE: |
| | | | SHEET 1 of 2 |