

REVISIONS			
REV.	DESCRIPTION	DATE	APPROVED
1			

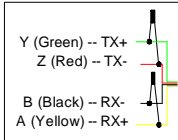
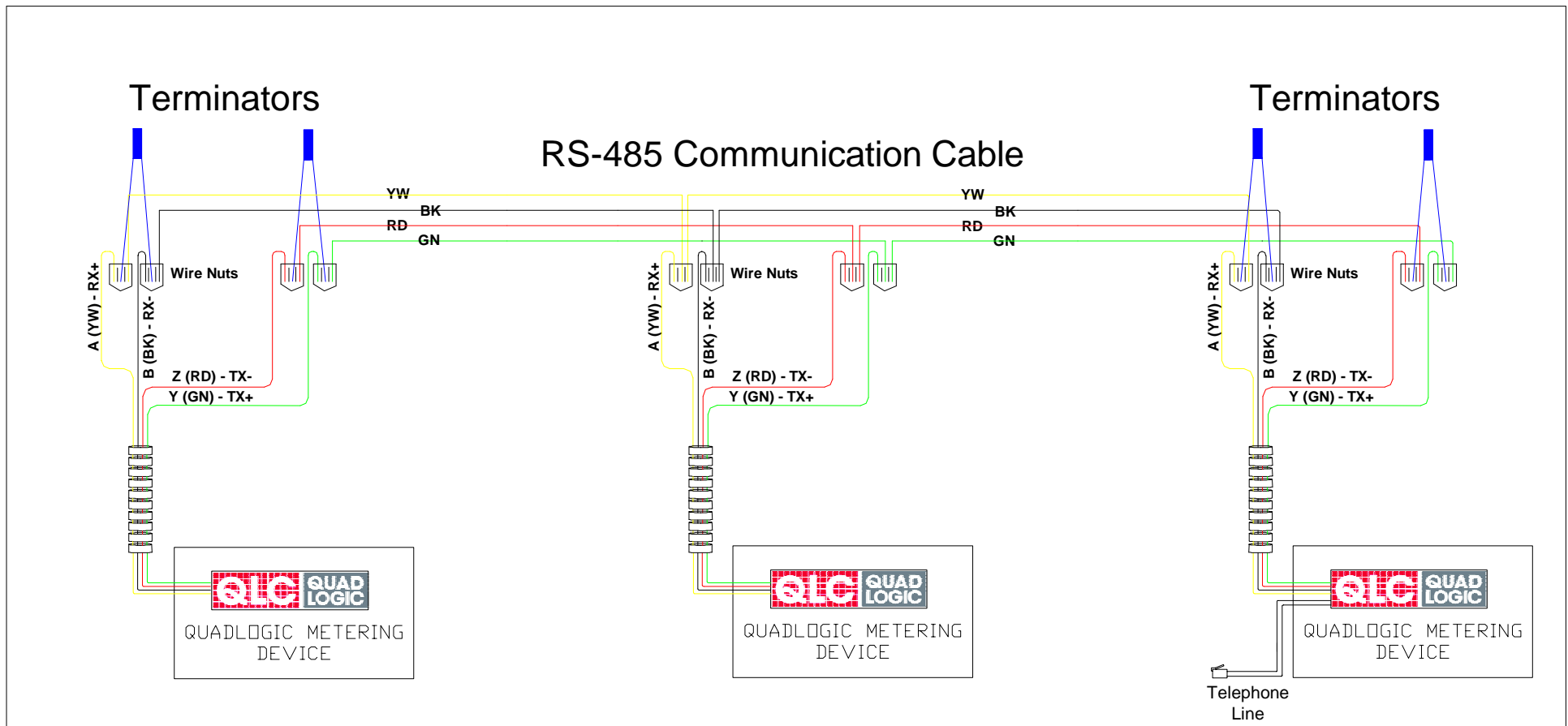


Figure 1. Data Link Terminator (120-ohm resistor) Connection.

SIGNATURES		DATE	TITLE	
MODEL	BKAU	06/25/06	MC5/RSM5/ST5 RS-485	
DETAIL			SIZE DRAWING	REV
APPROVED	JKIM	09/05/06	17-RS485 REV1	10.R
APPROVED	JREA	09/05/06	SCALE:	SHEET 1 of 1



Notes:

- 1) RS-485 cables must be connected in series (or Daisy Chain) with no "T" junction connections.
- 2) RS-485 cables must be a Belden 9842, Belden 3087A or Delco 43902 or an equivalent standard.
Cable runs must be less than 4000 ft.
- 3) Terminating resistors are required at both ends of the data link. Each pair will need a 120-ohm resistor.
- 4) Follow local codes for Installation Requirement, e.g. Conduit, Fused Disconnect, Distance and Wiring.

REVISIONS			
REV.	DESCRIPTION	DATE	APPROVED
1			

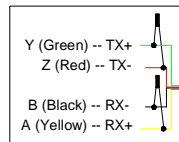


Figure 1. Data Link Terminator (120-ohm resistor) Connection.

		Quadlogic Controls Corporation TITLE MC5/RSM5/ST5 RS-485
SIGNATURES		DATE
MODEL	BKAU	06/25/06
DETAIL	SIZE DRAWING	
APPROVED	JKIM	09/05/06
APPROVED	JREA	09/05/06
SCALE:		REV 1.0.R
		SHEET 1 of 2