



## Below Ground Storage Tanks - DRAFT Potable (WRAS), Rainwater, Elsan® Waste & Cesspool

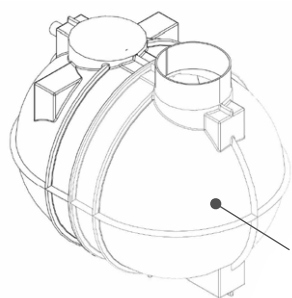


### High capacity, underground storage tanks

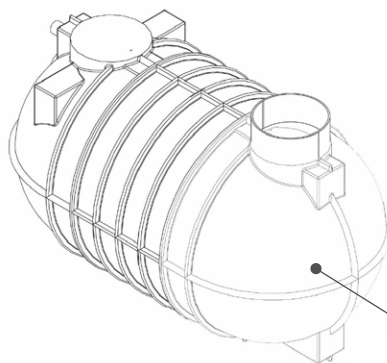
These rotationally moulded underground tanks are designed for use in industrial, agricultural, commercial and domestic applications. Typical uses include rainwater harvesting; surface water collection; potable water storage where mains water is not available; grey and black water storage including Elsan® toilet and cesspool waste.

Manufactured from UV stabilised medium density polyethylene (MDPE) and with a potable approved polymer (for WRAS applications) these tanks are designed with a ribbed construction for added strength and allow contents to be captured for many purposes.

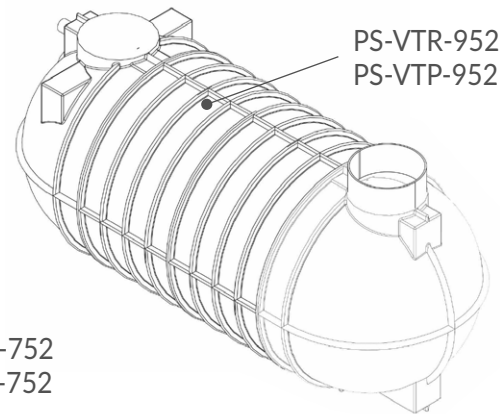
For rainwater applications please consult us for rainwater filters, calmed inlets and overflows.



PS-VTR-452  
PS-VTP-452



PS-VTR-752  
PS-VTP-752



PS-VTR-952  
PS-VTP-952

### Technical Advantages

- WRAS & DWI (Reg 31) Approved (PS-VTP Range)
- Suitable for rainwater, slurry, cesspool and Elsan® waste (PS-VTR Range)
- Multiple ribs for added strength
- One piece construction
- No assembly required, reducing installation time and effort
- Manufactured in the UK

### Applications

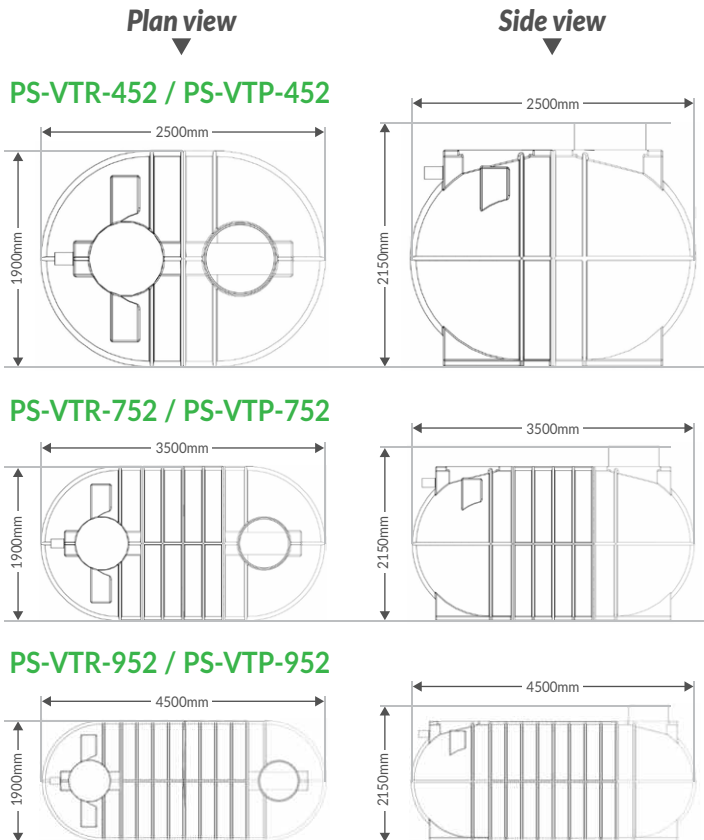
- Residential, commercial, industrial, agricultural
- Landscape, horticultural, park watering
- Watering systems for groundskeepers, sports stadia
- Irrigation, wash down facilities
- Waste storage station - Elsan® toilet waste, cesspool
- Portable toilet industry waste storage



## Below Ground Storage Tanks - DRAFT

### Potable (WRAS), Rainwater, Elsan® Waste & Cesspool

#### Technical Specifications (Drawings not to scale)



#### Upgrade Kits

- Manhole covers
  - Single seal - 10 Tonne rating
  - Double seal - 10 Tonne rating
  - Ductile iron - 12.5 Tonne rating
- Turrets for housing control equipment / weir housing or where tank is being installed deeper underground

Tank	Volume (Litres)	Volume (Gallons)	Orientation	Length (mm)	Width (mm)	Height (mm)	Lid Size (mm)	Weight (KGs)	WRAS Approved	Colours	Pipework Options	Turret Option	Filters Available	Pumps Available
PS-VTR-200	2000	440	Vertical (flat base)	1100 diameter	1100	2860	620 dia. VTR & VTP	100	NO	NATURAL	32mm & 50mm	YES	YES	YES
PS-VTP-200									YES	NATURAL			N/A	YES
PS-VTR-452	4400	969	Horizontal	2500	1900	2150	620 dia. VTR & VTP	200	NO	NATURAL	N/A	YES	YES	YES
PS-VTP-452									YES	NATURAL			N/A	YES
PS-VTR-752	7000	1542	Horizontal	3500	1900	2150	620 dia. VTR & VTP	300	NO	NATURAL	N/A	YES	YES	YES
PS-VTP-752									YES	NATURAL			N/A	YES
PS-VTR-952	9500	2092	Horizontal	4500	1900	2150	620 dia. VTR & VTP	400	NO	NATURAL	N/A	YES	YES	YES
PS-VTP-952									YES	NATURAL			N/A	YES

Please note: tank sizes quoted are subject to a +/-3% variation.

- Optional turrets for housing control sets / weir housing or where tank is installed deeper underground.
- Facility to fit extra lid, if required (not VTR-200 & VTP-200).
- Non-vented lid for VTP.