



US00D825458S

(12) **United States Design Patent**  
**Nauroy**

(10) **Patent No.:** **US D825,458 S**

(45) **Date of Patent:** **\*\* Aug. 14, 2018**

(54) **SMART HUB WALL CHARGER**

(71) Applicant: **DESIGN POOL LIMITED**, Wan Chai,  
Hong Kong (CN)

(72) Inventor: **Fabien Malcolm Nauroy**, Hong Kong  
(CN)

(\*\*) Term: **15 Years**

(21) Appl. No.: **29/607,688**

(22) Filed: **Jun. 15, 2017**

(51) **LOC (11) Cl.** ..... **13-02**

(52) **U.S. Cl.**  
USPC ..... **D13/108**; D13/137.2

(58) **Field of Classification Search**  
USPC ..... D13/108, 110, 123, 133, 137.1-137.4,  
D13/138.1-138.2, 139.1-139.8, 152-154,  
D13/146, 147, 156, 158; D14/433;  
D8/350-353  
CPC ..... H01R 11/00; H01R 9/00; H01R 25/00;  
H01R 25/006; H01R 13/11; H01R 24/76

See application file for complete search history.

(56) **References Cited**

**U.S. PATENT DOCUMENTS**

D371,341	S	*	7/1996	Hung	.....	D13/137.2
D657,310	S	*	4/2012	Fahrendorff	.....	D13/110
D660,229	S	*	5/2012	Tseng	.....	D13/110
D678,187	S	*	3/2013	Huang	.....	D13/103
D698,723	S	*	2/2014	Zaslavsky	.....	D13/110
D699,183	S	*	2/2014	Zaslavsky	.....	D13/110
D700,579	S	*	3/2014	Mobbs	.....	D13/137.1
D734,253	S	*	7/2015	Tinaphong	.....	H02J 7/0004 D13/108

D740,749	S	*	10/2015	Stewart	.....	D13/108
D743,333	S	*	11/2015	Nomi	.....	D13/108
D761,732	S	*	7/2016	Byrne	.....	D13/137.2
D804,419	S	*	12/2017	Hayes	.....	D13/139.4

**OTHER PUBLICATIONS**

Amazon.com: Native Union Smart Hub—4-Port USB Wall Charger. Published Oct. 25, 2017. Retrieved from the internet at < https://www.amazon.com/Native-Union-SMART-HUB-Smartphones/dp/B075L9S8WW/>, Mar. 9, 2018. 1 page.\*

\* cited by examiner

*Primary Examiner* — Rosemary K Tarcza

*Assistant Examiner* — Christy M Nemeth

(74) *Attorney, Agent, or Firm* — James M. Smedley LLC;  
James Michael Smedley, Esq.

(57) **CLAIM**

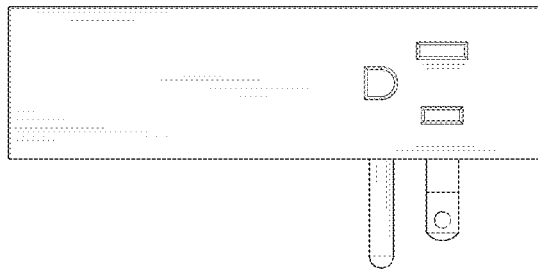
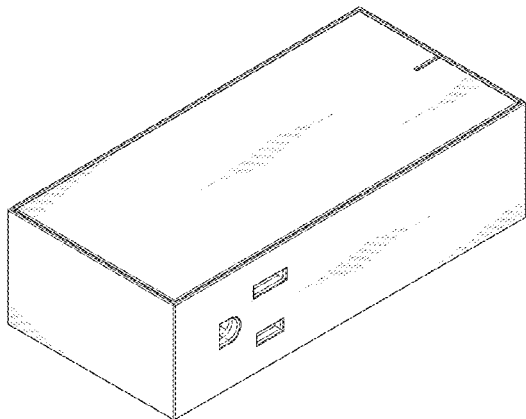
I claim the ornamental design for a smart hub wall charger, as shown and described.

**DESCRIPTION**

FIG. 1 is a front-top-right side perspective view of a smart hub wall charger of my new design;  
FIG. 2 is a front elevation view thereof;  
FIG. 3 is a rear elevation view thereof;  
FIG. 4 is a bottom plan view thereof;  
FIG. 5 is a top plan view thereof; and,  
FIG. 6 is a left side view thereof.

The broken lines in the drawings are for the purpose of illustrating elements of the smart hub wall charger that form no part of the claimed design.

**1 Claim, 3 Drawing Sheets**



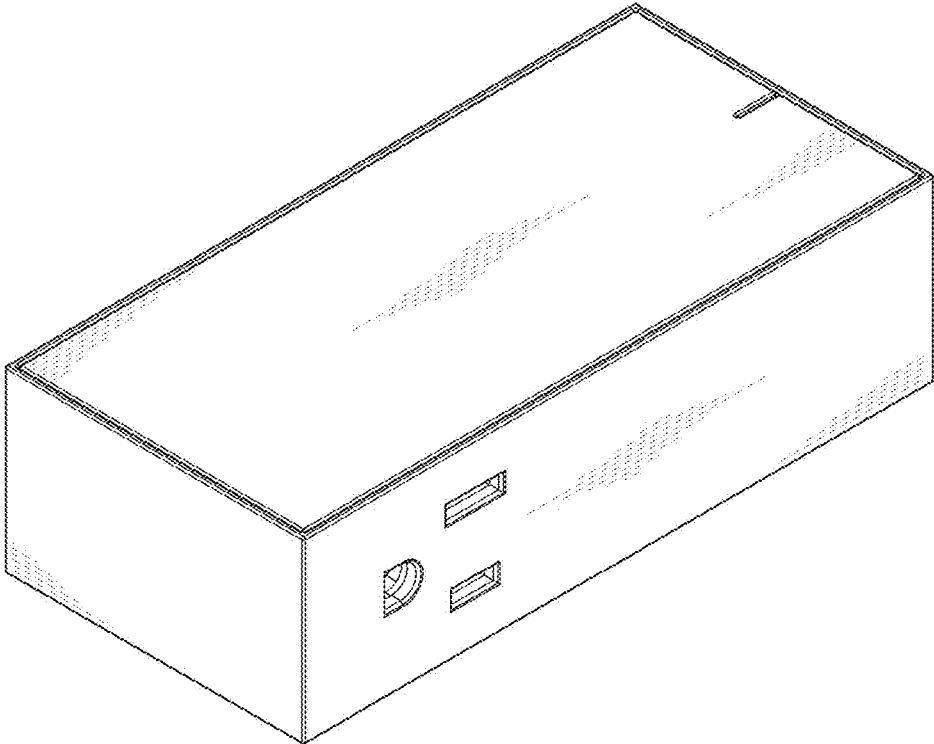


FIG. 1

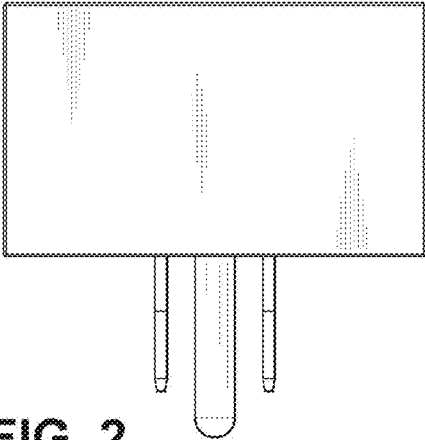


FIG. 2

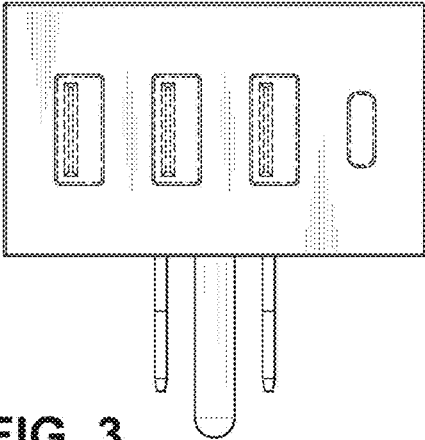


FIG. 3

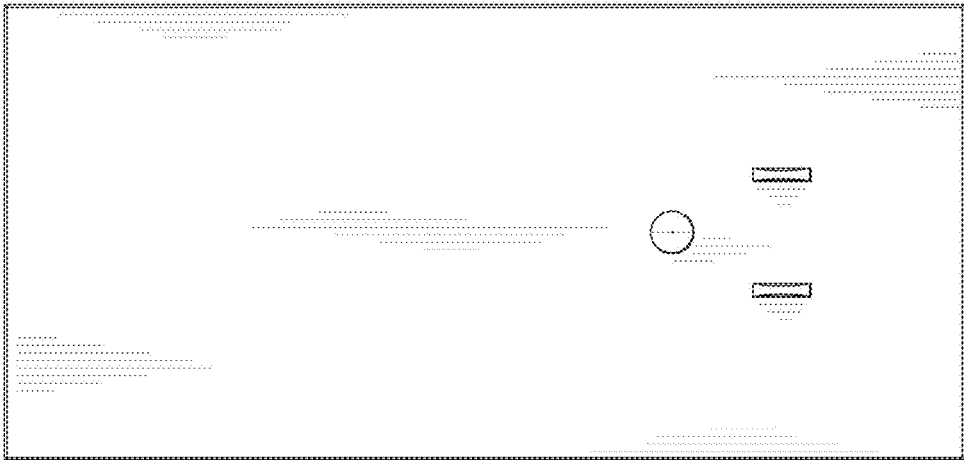


FIG. 4

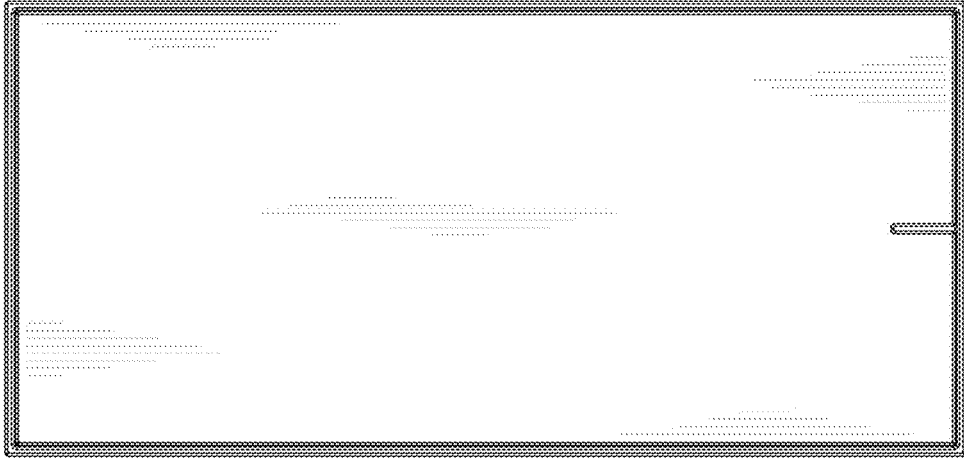


FIG. 5

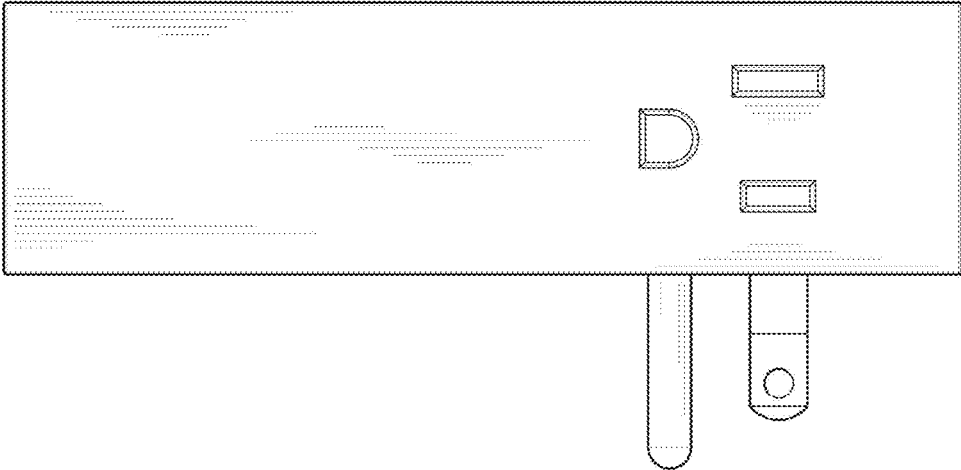


FIG. 6