



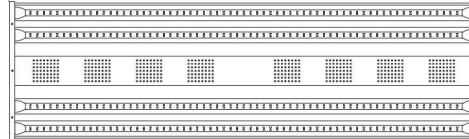
Hellion Industrial Luminaire Manual

This manual applies to the following products:

EL100HFB, EL150HFB, EL200HFB Emergency and Microwave sensor versions

Version 1.0 2017

Contents	
Introduction	1
Safety Warnings	1
Dimensions	2
Product Accessories	2
Specifications	2
Installation	3/4
Maintenance	4



Introduction:

Thank you for choosing the 'Hellion Industrial Luminaire'.

Before installation please read this manual carefully to ensure a full understanding of how to install and operate the device.

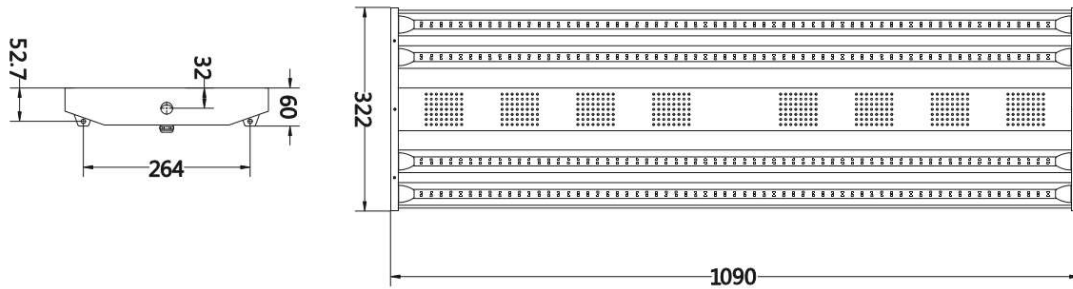
Safety Warnings:

1. Upon opening the product, if it is found to be defective or damaged, please contact your retailer as soon as possible. Do not attempt to use a damaged product
2. The product should be installed and maintained by a qualified electrician. Novah will not take responsibility of any damages or issues that occur due to mishandling, such as operations prohibited in this manual
3. Ensure the fixing surface is flat and even and can withstand the weight of the product. Use adequate fittings with regards to the type of surface.
4. Always isolate the mains supply before fitting or servicing. Make sure there is a correct connection and no short circuit before powering on
5. Make sure there is no extra force or stress on the aluminium heatsink to avoid defects or deformation
6. Please note these luminaires get very hot. Leave to stand for 20 minutes after use before handling.
7. You may need to change your breaker type to compensate for the higher inrush current. Consult your electrician for more details.

Product Accessories:

- 1 x Hellion Luminaire
- 2 x Safety Suspension cables (Max load 20KG)
- 1 x Instruction Manual

Product Dimensions



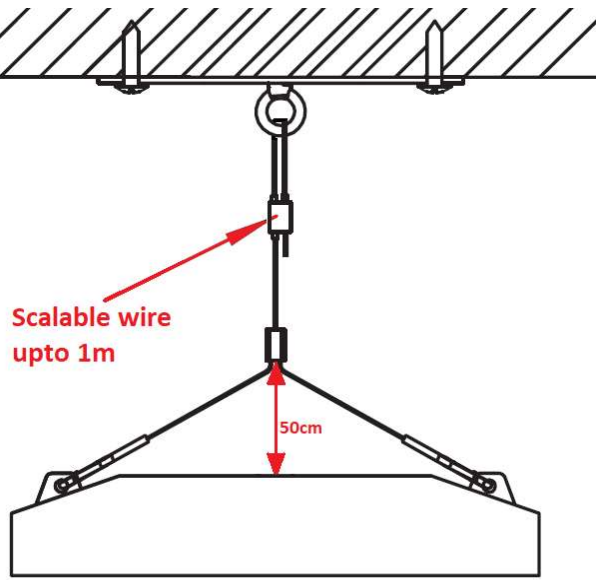
Product Specification:

Input Voltage:	100-277Vac (50Hz)
System Power:	100/150/200 Watts
Power Factor:	>0.95
Luminous Flux:	130lm/w
Colour Temperature:	5000K
Colour Rendering Index:	>80
Beam Angle:	120°
IP Rating:	IP20
Operating Ambient Temperature:	-35°C to +35°C
Operating Ambient Temperature: (Emergency version)	-5°C to +30°C
Net Weight:	7kg (standard) 8kg (emergency version)

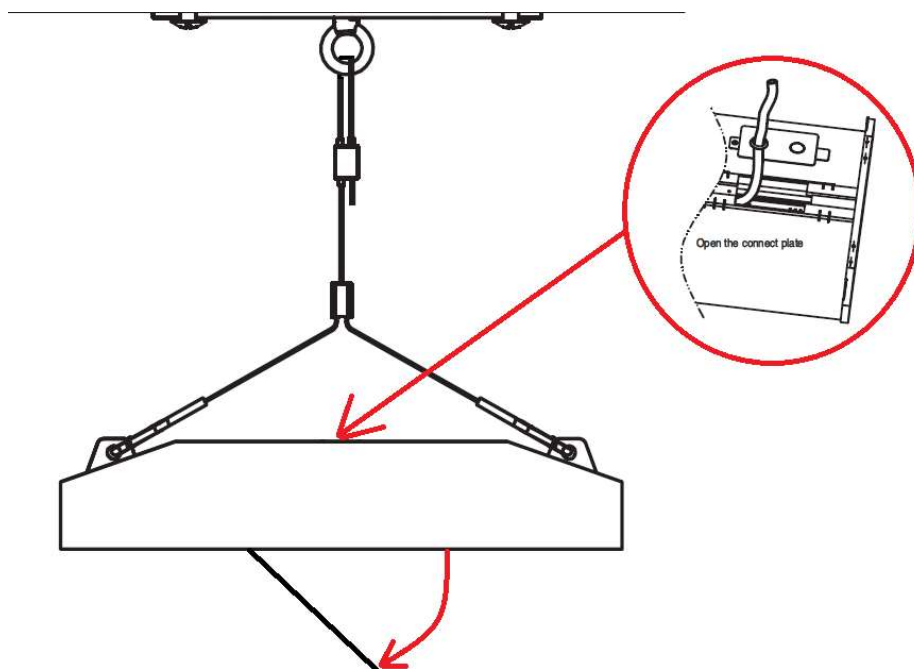
Suspension installation:

Ensure a suspension eye loop or steel girder is used and that they can take the weight of the fixture.

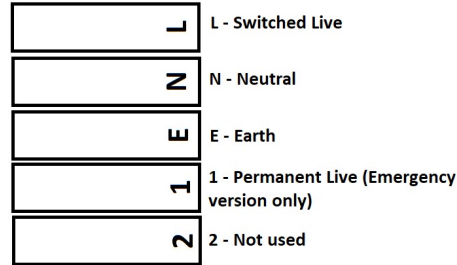
Please use the supplied or appropriate cables/chains to suspend from the ceiling like the below diagram:



Once securely suspended remove the back plate and open the front hinged panel.



Insert the appropriate cable and wire as follows into the piano key terminal block:



Standard Cable Config:

- 0.5m VDE/UL listed rubber cable
- Diameter of 3*0.1mm

Once the excess wire is secured turn on the power

Please note all Hellion products have 1 – 10vdc dimmable capability:

To use the 1-10Vdc dimmable option please wire accordingly:

- Strip back the cable marked 1-10Vdc dimmable.
- Wire the brown cable negative input and the brown cable to positive input.

Microwave Sensor Version (M Suffix):

The external microwave sensor works on two stage dimming process and will be preset according to the customers requirements at purchase. Should you require changes to this please contact Novah.

Maintenance:

It is recommended that the luminaires are cleaned at least once per year (depending on the environment).

Compressed air is recommended to clean out any dust in the heat sink; approved glass/plastic cleaning detergent should be used to clean the optical lenses to maintain high light output.