

Novah Barracuda non-corrosive LED luminaire installation

This Manual only applies to the products listed:

EL1236BNC; EL1525BNC; EL1554BNC; EL1565BNC,

Standard and Emergency versions

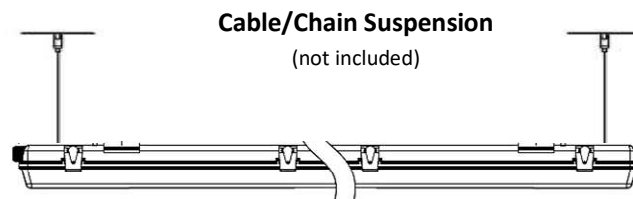
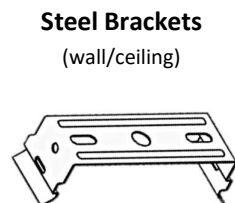
Introduction:

Thank you for choosing our Barracuda non-corrosive LED luminaire T8/T5 tube equivalent. We recommend that you read this manual carefully before installation or usage of your product. Please ensure you completely understand the instructions to ensure normal working of your LED luminaire.

Important Information:

It is recommended that luminaires are installed and fitted by a fully qualified electrician in accordance with the relevant standards, and that the installation complies with current IEE wiring regulations. This luminaire is suitable for all indoor plus external use 'under cover only' applications.

Applications:

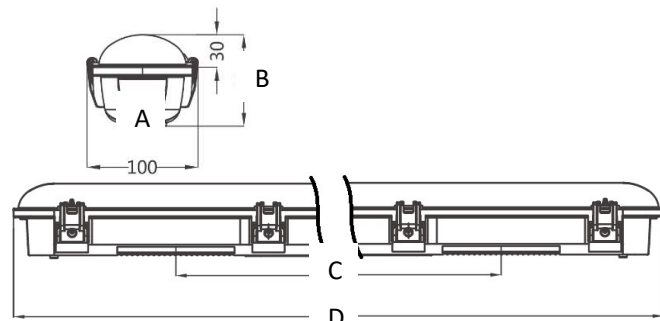


Installation (Ceiling/Wall):

1. Isolate supply voltage before working with electrics
2. Mark out the distance, as indicated in the below drawing, for the wall brackets, and fix these to the wall/ceiling using the supplied or suitable fixings
3. Select where to insert the power cable (either end or rear of unit), drill a 20-mm hole through the tray
4. Wire the cable into the terminal block as per regulations (see Fig. 1)
5. Attach the rear PC housing to the ceiling/wall and ensure it is secure
6. Attach the gear tray to the security hooks
7. Attach the gear tray into the cross locks and rotate to make sure they are secure
8. Using the stainless steel clasps, clip them in to secure the diffuser
9. Switch on the mains supply.

Dimensions:

Product Code	A	B	C	D
EL1236BNC	100	82	860	1228
EL1525BNC	100	82	1200	1568
EL1554BNC	100	82	1200	1568
EL1565BNC	100	82	1200	1568



Specifications:

	EL1236BNC	EL1525BNC	EL1554BNC	EL1565BNC
System Power	36W	25W	54W	65W
Input Voltage	220 – 240V (50Hz)			
Colour Temperature	5000K			
Luminous Flux	>130lm/W			
Lumens	>4680lm	>3250lm	>7020lm	>8450lm
Colour Rendering Index	>80			
Working Temperature	-20°C to 35°C			
Beam Angle	160°			
IP Rating	IP66			
Impact Rating	IK08			
Net Weight	2.15kg	2.30kg	2.30kg	2.30kg

Emergency Version (Suffix 'E'):

There are 2 options for the emergency version, either Switched Live or Permanent Live (see Fig.1).

Please note: Only the dedicated emergency PCB board illuminates at 200 lumens during operation. The battery requires a full 24 hours of charge before being able to last more than 3 hours.

Fig. 1

