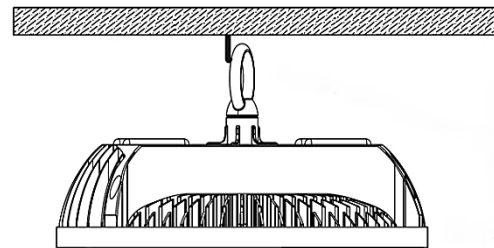


'Sirius LED Flood/Low Bay/High Bay' Manual

Version 3.0

This Manual only applies to the products listed.

Contents	
Introduction	1
Safety Warnings	1
Dimensions	2
Product Accessories	2
Specifications	2
Installation	3/4
Maintenance	4



Products:

Flood/Low Bay: EL100SFLB2, EL150SFLB2, EL200SFLB2

High Bay: EL100SHB260; EL150SHB260; EL200SHB260.

Introduction:

Thank you for choosing our 'Sirius Flood/Low Bay/High Bay'. We recommend that you read this manual carefully before installation or usage of your product.

Please ensure you completely understand the instructions to ensure normal working of your LED luminaire.

Safety Warnings:

1. Upon opening the product, if it is found to be defective or damaged, please contact your retailer as soon as possible. Do not attempt to use a damaged product
2. The product should be installed and maintained by a qualified electrician. Novah will not take responsibility of any damages or issues that occur due to mishandling, such as operations prohibited in this manual
3. Ensure the fixing surface is flat and even and can withstand the weight of the product. Use adequate fittings with regards to the type of surface
4. Always isolate the mains supply before fitting or servicing. Make sure there is a correct connection and no short circuit before powering on
5. Make sure there is no extra force or stress on the aluminium heatsink to avoid defects or deformation
6. Please note these luminaires get very hot. Leave to stand for 20 minutes after use before handling.

Important Information:

It is recommended that luminaires are installed and fitted by a fully qualified electrician in accordance with the relevant standards, and that the installation complies with current wiring regulations.

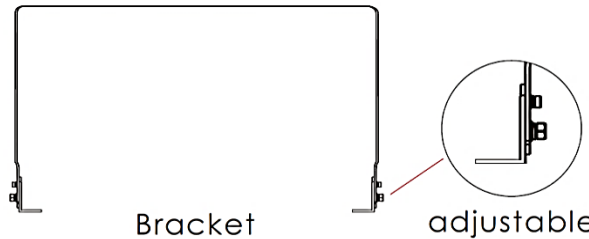
Product Accessories:

A. Suspended:



Suspension loop
M20 Bolt

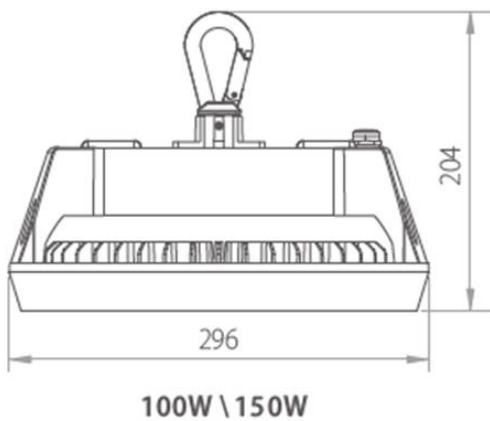
B. Wall/Ceiling Mounting Bracket (sold separately, SP150SB):



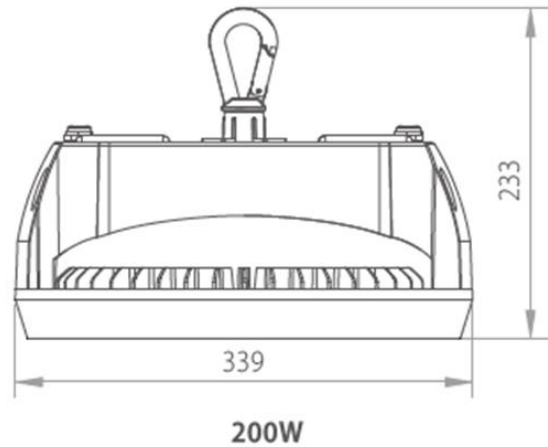
Bracket

adjustable

Product Dimensions



100W \ 150W



200W

Product Specifications

Sirius Flood/Low Bay	
Input Voltage	220 – 240V (50Hz)
System Power	100w/150w/200w
Power Factor	> 0.95
Cable Length	1M Flex, 1-10vdc 25cm
Luminous Flux	140lm/w
Colour Temperature	5000K
Colour Rendering Index	>80
Beam Angle	105°
IP Rating	IP65
Impact Rating	IK10
Net Weight	4.3Kg & 6.7kg (200W only)

Sirius High Bay	
Input Voltage	220 – 240V (50Hz)
System Power	100w/150w/200w
Power Factor	> 0.95
Cable Length	1M Flex, 1-10vdc 25cm
Luminous Flux	140lm/w
Colour Temperature	5000K
Colour Rendering Index	>80
Beam Angle	60°
IP Rating	IP65
Impact Rating	IK10
Net Weight	4.4Kg & 6.8kg (200W only)



Installation

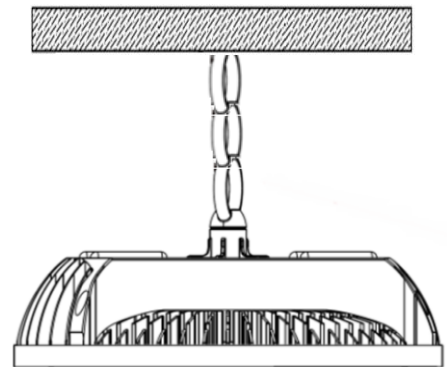
1. Ensure there are no visible faults or defects with the product before installation.
2. As shown below, there are 2 mounting options. Please follow the appropriate instructions.

Suspended:

Ensure the suspension eye loop is screwed in fully and the secure screw is fastened for additional support.

Please use appropriate cables/chains to suspend from the ceiling.

It is always recommended that a secondary safety cable is used for additional support should the main one fail.

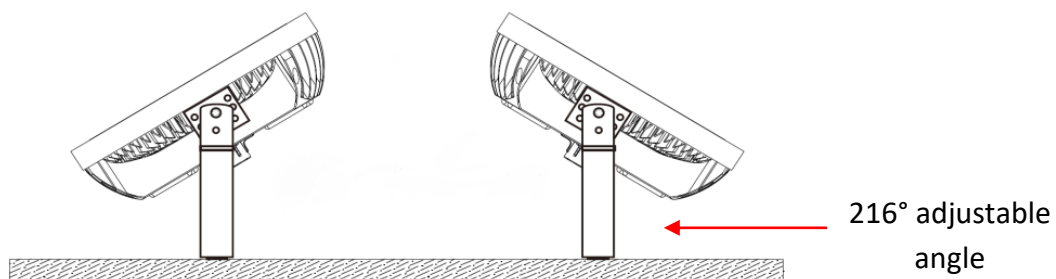
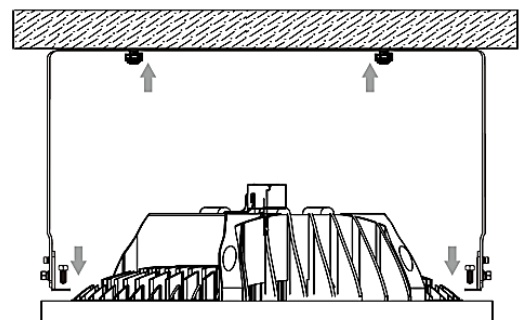


Wall/Ceiling Mounted:

Fix the mounting bracket to the wall/ceiling using appropriate expansion screws (not supplied).

Fit the mounting arms to the fixture using a 5mm (M6) sized Allen key.

Attach the luminaire to the mounting bracket using the nut and bolt provided. Set the correct angle required then tighten using a 8mm Allen key and spanner.

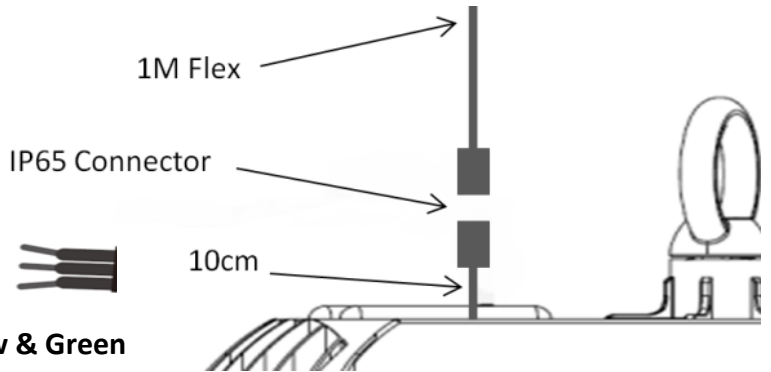


3. Connect the fitting to the mains supply as per the following:

Standard Cable Config:

- 0.5m VDE/UL listed rubber cable
- Diameter of 3*0.1mm
- With cold-pressed terminal

L: Brown
N: Blue
 : Yellow & Green

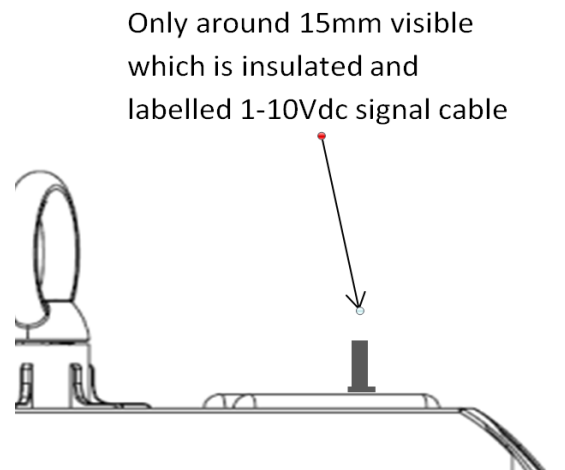


Note: You may need to change your breaker type to compensate for the higher inrush current. Consult your electrician for more details.

4. All Sirius products have 1 – 10Vdc dimmable capability:

To use the 1-10Vdc dimmable option please do the following:

- Loosen the metal cable gland with a spanner
- Pull the excess cable (25cm) through the hole and re-fasten the gland tightly
- Strip the wires back and install into a 1-10Vdc dimmable system. (Please note in order to maintain the IP integrity please use rated connectors) Blue/Black is – terminal and Brown/Red is + terminal



5. Maintenance

It is recommended that the luminaires are cleaned at least once per year (depending on the environment).

WARNING:

Please note these luminaires get extremely hot. Leave to stand for at least 20 minutes before carrying out maintenance

Compressed air is recommended to clean out any dust in the heat sink; approved glass/plastic cleaning detergent should be used to clean the optical lenses to maintain high light output.