

Lightweight Jib

Operating instructions

The Panther Lightweight Jib is a very universal jib arm that can be mounted on all Panther Dollies.

In connection with the Super Panther or Panther Evolution, it is possible to stand on a running board platform and move with the column.

In this case the camera operator has to compensate the lift differences which the Lightweight Jib causes (more than the column) by bending his knees.

For this, you will need as accessories the Lightweight Jib A-Round Kit (alternatively: cable) and, if required, the a Holding Bracket with seat-extension and running board platform.

1. Mounting for automatic lift movements

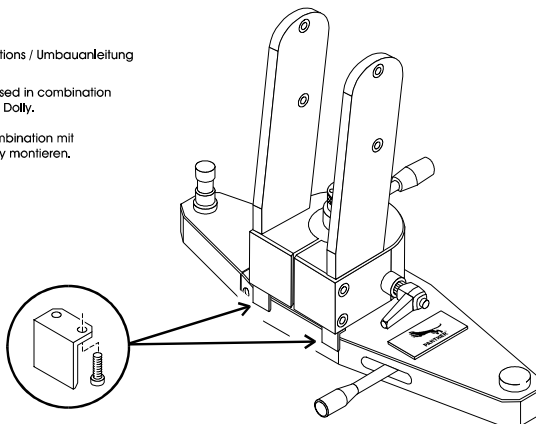
- Put the Jib Ring on the dolly and secure.
 - Set the Lightweight Jib on dolly at 90° to turnstile, with the hand crank in the direction of the dolly's front panel.
 - Turn in the screw and tighten with lever.
Make sure that this lever is always held by the lateral magnet. Otherwise it may be broken by the rear end of the Lightweight Jib during automatic lifting.
 - Attach Lightweight Jib A-Round Kit to Lightweight Jib.
 - Attach connecting rod firstly to Lightweight Jib and then to Super Jib Ring.
Make sure that the connecting rod's track wheels are firmly attached to the ring.
- For lifting movements with camera operator:
- Mount the Running Board Bracket at the Turnstile and attach the Running Board Platform with seat-extension on the Bracket.

Max load: 100 kg (220lbs)

Assembling Instructions / Umbauanleitung

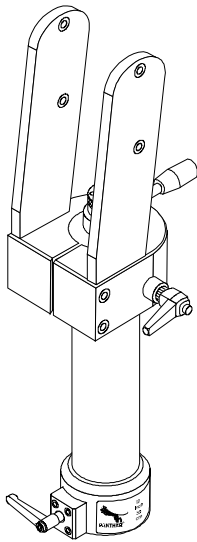
Mount bracket if used in combination with Super Panther Dolly.

Winkelstütze in Kombination mit Super Panther Dolly montieren.



2. Mounting on Bazooka

- Set the Lightweight Jib on the bazooka, turn the screw and tighten with the locking lever.
Make sure that this lever is always held at the lateral magnet. Otherwise it may be broken by the rear end of the Lightweight Jib during lifting.
- Attach counterweight rod and secure with appropriate screw.
- Attach counterweights and secure them with the splint.
- Lengthen the rear part of the Lightweight Jib (with hand crank) until the arm is balanced.



In combination with Bazooka
bracket is not necessary.

In Kombination mit Bazooka ist die
Winkelstütze nicht notwendig.

Max load: 100 kg (220 lbs)