

WX20 Series, 5-1/2" Stainless Steel Wall Guard

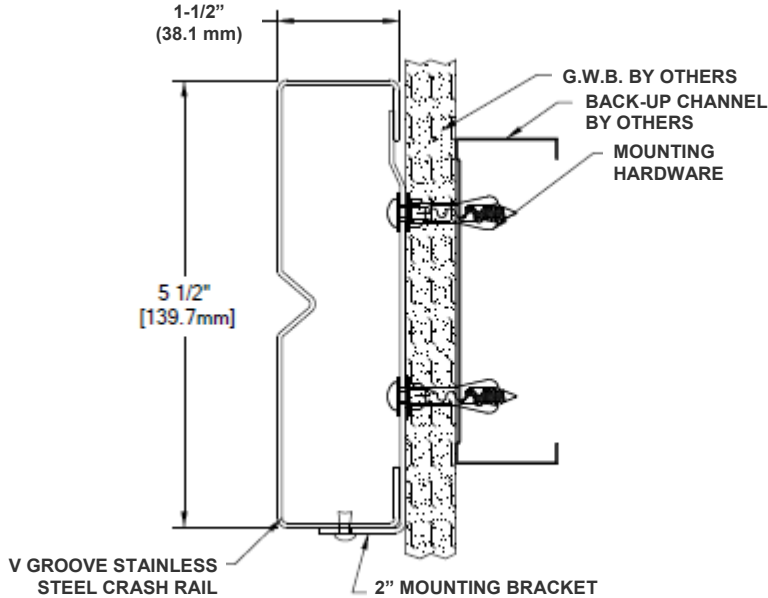
- Standard Length is 10'.
- Custom lengths are available, all custom cuts have a plus or minus 1/8" tolerance.

RAIL QUANTITY:

2" MOUNTING BRACKET:

4" MOUNTING BRACKET:

END CAPS:



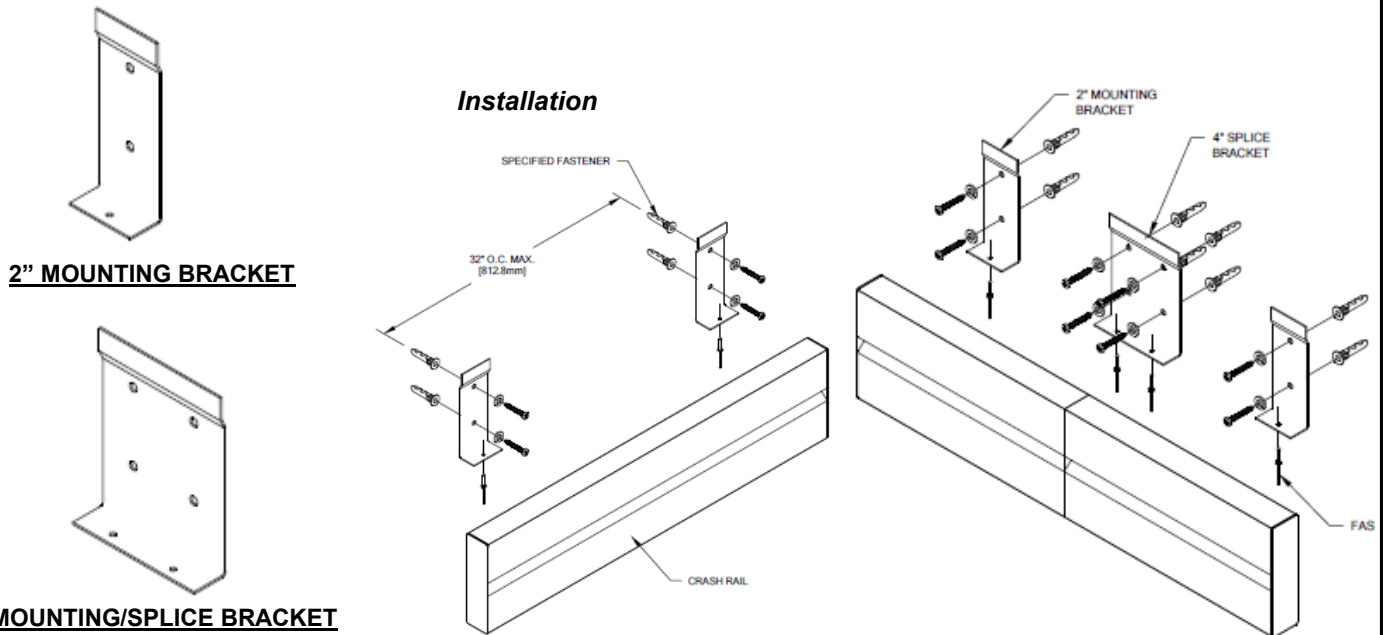
Specifications

- Surface mount stainless steel wall guards are manufactured from type 304, 16 gauge Stainless with a #4 satin finish on all exposed surfaces.
- Inside and Outside Corners are not available, all runs must be terminated at inside or outside corner conditions.
- Bracket Spacing not to exceed 32" on center.

Hardware

- Wall mounting hardware: #10 x 1-1/2" Phillips Pan Head SMS and AF-6 plastic Anchor.
- Bracket attachment: 1/8"x5/8" Stainless Steel Pop Rivet.

Installation



CUSTOMER:

PROJECT:

LOCATION:

ARCHITECT

WX20-5.5 SSWG REVISED: 10/2/2015



wallprotex™

3750 Ohio Avenue
St. Charles, IL 60174-5438
Ph: 877-880-8115 Fax: 630-443-8930
info@wallprotex.com