

WX17 Series, 5" Crescent Wall Guard with Aluminum Retainer

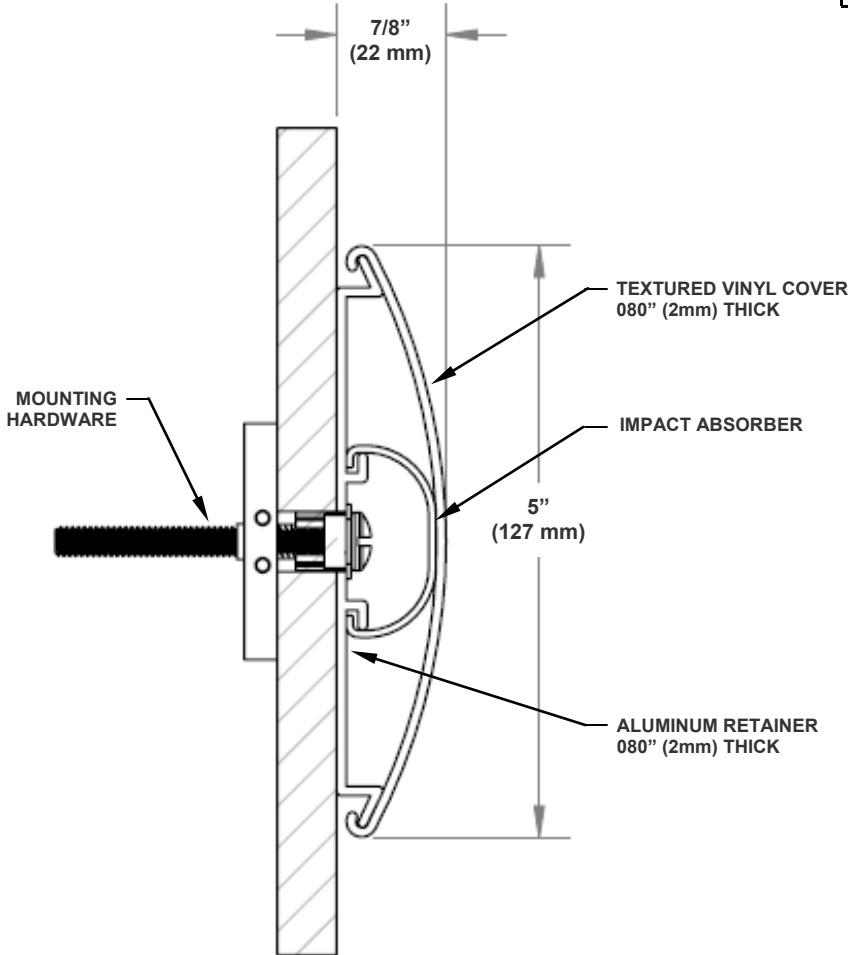
- Standard Length is 12'.
- Custom lengths are available, all custom cuts have a plus or minus 1/8" tolerance.

QUANTITY:

END CAPS:

OUTSIDE CORNERS:

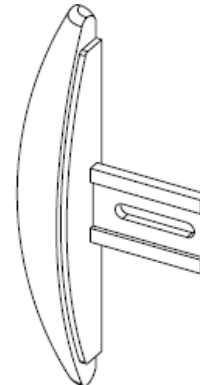
COLOR:



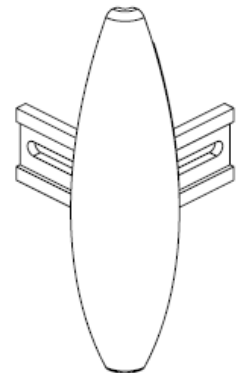
Economy Colors

- 11921 Black
- 11924 Sawdust
- 11925 Sand
- 11926 Khaki Brown
- 11927 Gray
- 11929 White
- 11930 Taupe
- 11931 Pale Yellow
- 11932 Ivory
- 11933 Brown

Additional colors available, call Factory for availability, lead time, and possible set up charges.



END CAP



OUTSIDE CORNER

Installation

Wall Guard Systems: Cut aluminum to desired length, attach end caps or corners to the aluminum, attach aluminum to the wall, then cut cover and impact absorber to desired length and snap onto the aluminum. When a splice occurs, splice the aluminum retainer and the vinyl cover at different locations along the run. The use of back-up channels at stud wall conditions is recommended.

CUSTOMER:

PROJECT:

LOCATION:

ARCHITECT

WX17-5WG REVISED: 11/03/2015



wallprotex™

3750 Ohio Avenue
 St. Charles, IL 60174-5438
 Ph: 877-880-8115 Fax: 630-443-8930
 info@wallprotex.com