

WX18 Series, 1-1/2" Stainless Steel Handrail

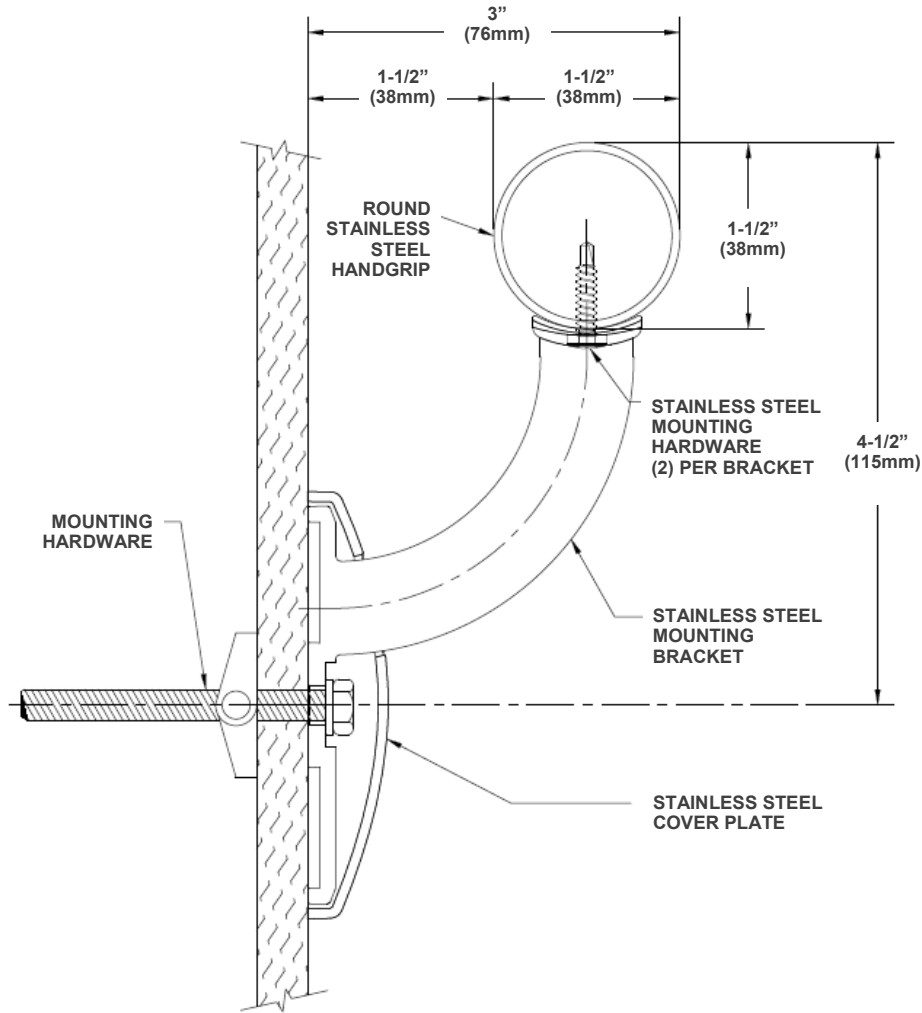
- Standard Length: Custom
- Due to the custom nature of this handrail, field verification of all measurements is required.

RAIL QUANTITY:

RETURNS:

INSIDE CORNERS:

OUTSIDE CORNERS:



Specifications

- Surface mount stainless steel wall guards are manufactured from type 304, 16 gauge Stainless with a #4 satin finish on all exposed surfaces.
- Bracket Spacing not to exceed 32" on center.

Hardware

- Wall mounting hardware: 1/4-20x3" HEX Head Screw with Phillips head slot and Toggle™.
- Bracket attachment: 8-18x3/4 Long PPH Self Drilling Stainless Steel Screw.

CUSTOMER:

PROJECT:

LOCATION:

ARCHITECT

WX24-1.5 SSSR REVISED:



wallprotex™

3750 Ohio Avenue
 St. Charles, IL 60174-5438
 Ph: 877-880-8115 Fax: 630-443-8930
 info@wallprotex.com