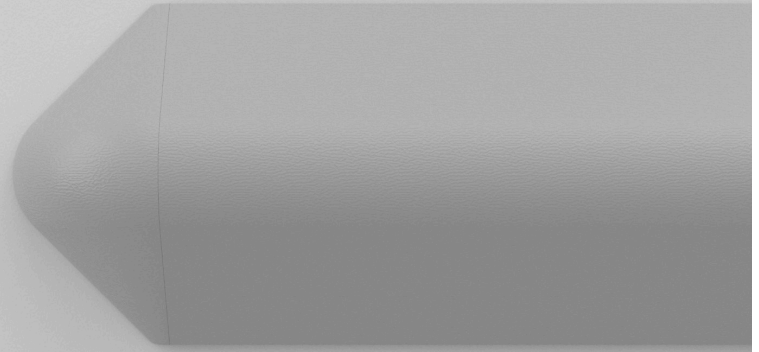
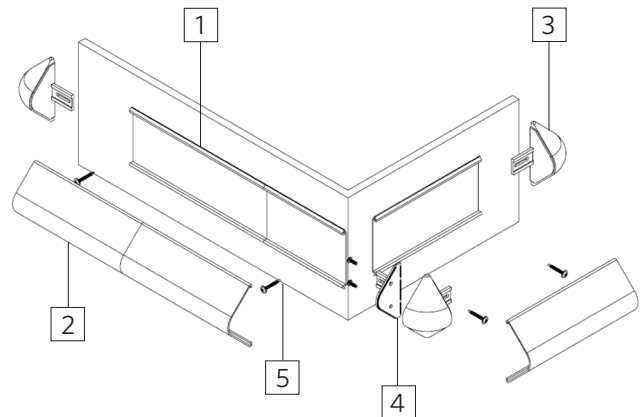


# Installation Instructions



## Parts List

1. Aluminum Retainer
2. Vinyl Cover
3. End Cap
4. Outside Corner Assembly
5. Mounting Hardware



## Pre-Installation Notes

When splices occur (runs over 12'-0"), always splice the aluminum retainers and the vinyl covers at different locations along the run. The minimum required spacing between the splice locations is 1'-0".

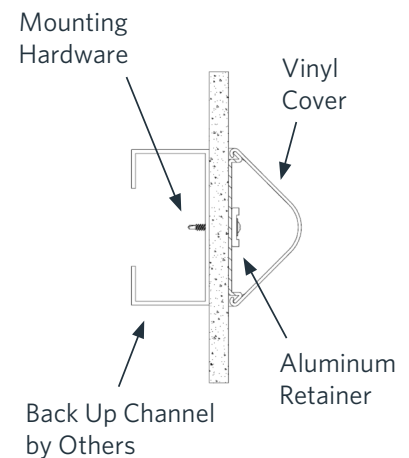
## Installation Steps

### STEP 1

Using the correct plans and layout guides, layout the wall guard and make any necessary cuts before beginning the actual installation.

### STEP 2

Select a section of the aluminum retainer. Mark the locations for the anchor holes on the retainer, centering the anchor holes along the retainer is recommended. Anchors are spaced 16" O.C. MAXIMUM with an anchor a maximum of 3" from the end of retainer (see **FIGURE 1**). Drill the anchor holes through the retainer at marked locations. Repeat this step for each retainer.



**FIGURE 1**



**STEP 3**

Layout the wall guard retainers along the wall where the wall guard will be placed. At outside corner joints, the retainer should be 1/8" short of the corner on one side of the corner to allow for the corner adapter to fit correctly. As needed, place end caps and/or outside corners to the corresponding aluminum retainers. Slide the tab into the center channel of the retainer and mark the screw location on the retainer.

**STEP 4**

Measure the specified/required height from the floor for the wall guard. Make marks along the wall at the desired height. Use a chalk line to connect the marks creating a visual reference for the alignment of the wall guard.

**STEP 5**

Place the retainer into position against the wall ensuring that the retainer is properly aligned, level, and at the proper height. Using the correct anchors attach the retainer to the wall. Note: Observe all safety precautions when drilling to avoid all utilities and re-bar.

**STEP 6**

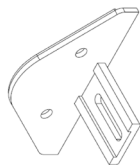
Install end caps and outside corners as required. For installation tips concerning door or window jambs and inside corners, see **FIGURES 2 and 3**.

**STEP 7**

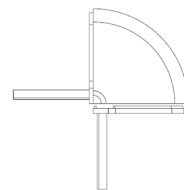
Select vinyl cover (see **FIGURE 2**), fit the cover to the retainer, trim as required, then place the top lip of the vinyl cover over the top of the retainer. Starting at one end, using the palm of the hand, push the vinyl cover down over the bottom of the retainer. Repeat this step for each section of crash rail.



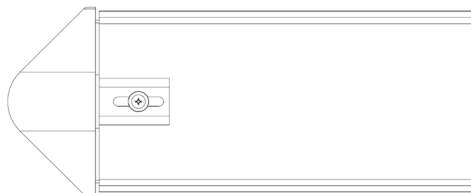
**END CAP**



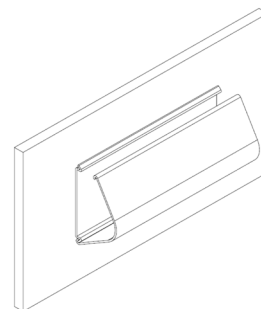
**CORNER ADAPTER**



**ASSEMBLED OUTSIDE CORNER**



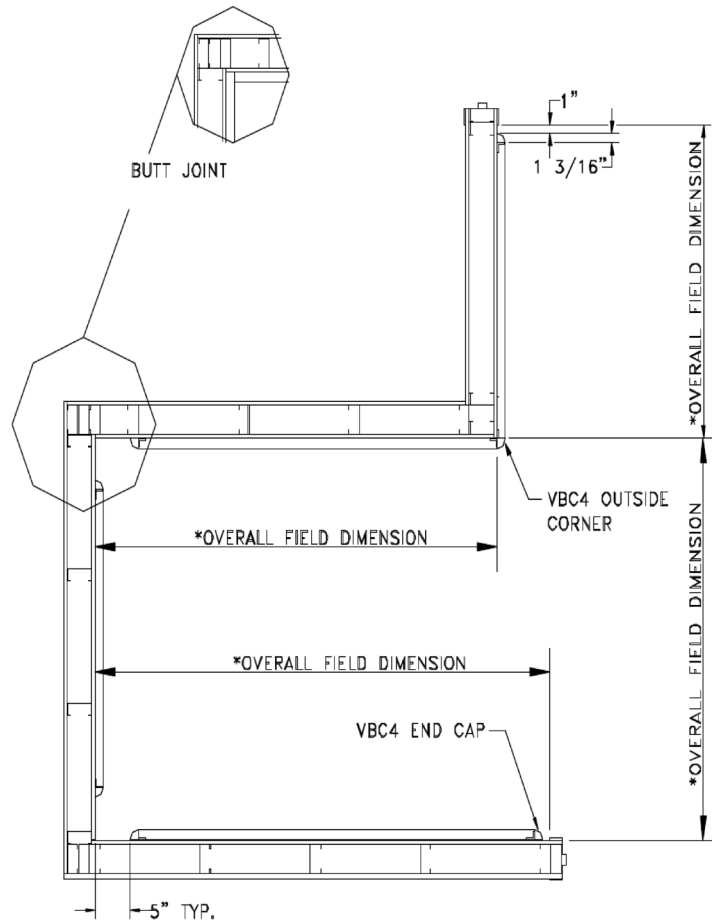
**END CAP TO RETAINER ASSEMBLY**



**VINYL COVER TO RETAINER ASSEMBLY**

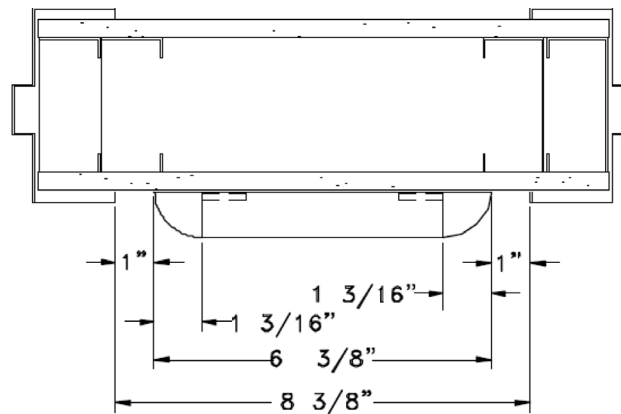


# ▶ 4" Triangular Bumper Guard



*\*Measure to the nearest 1/8" in all conditions*

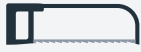
**FIGURE 2**



Jame to jamb, window, etc.

**FIGURE 3**





### Cutting Bumper Guard

Stock Length material does not always have squared ends and may require squaring in the field. If space is available use a minimum 12' long cutting bench to allow the installer to cut the material without having to turn it around.



### Storage & Handling

The wall guards are shipped unassembled. Upon receipt, the vinyl covers should be stored in the horizontal position at room temperature (65 - 75° F). This is a finished product, store in a protected clean, dry area away from direct sunlight.



### Cleaning Instructions

#### STEP 1

For best results, the use of liquid cleaners such as "409," "Fantastic," and "Mr. Clean," etc. are recommended. The use of powder cleansers is not recommended. Use of such cleansers can leave residue which is difficult to remove.

#### STEP 1

Do not use chlorinated or aromatic hydrocarbons, esters or ketones to clean Wallprotex vinyl products. Avoid the use of heavy degreasers, compounds containing surfactants, and abrasive compounds or cleaning devices.



### Caution

**DO NOT** walk on the wall guards.

**DO NOT** store anything on top of the wall guards.

