

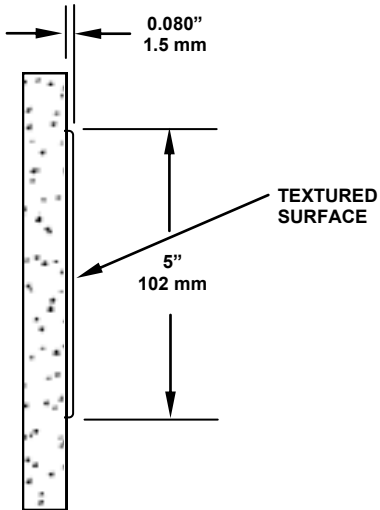
WX14 Series, 5" Rub Rail

- Standard Size: 5" x 8'
- Standard Thickness: .080"
- Custom cut lengths are available, all custom cuts have a plus or minus 1/8" tolerance.
- Top and bottom beveled edge.

QUANTITY:

LENGTH:

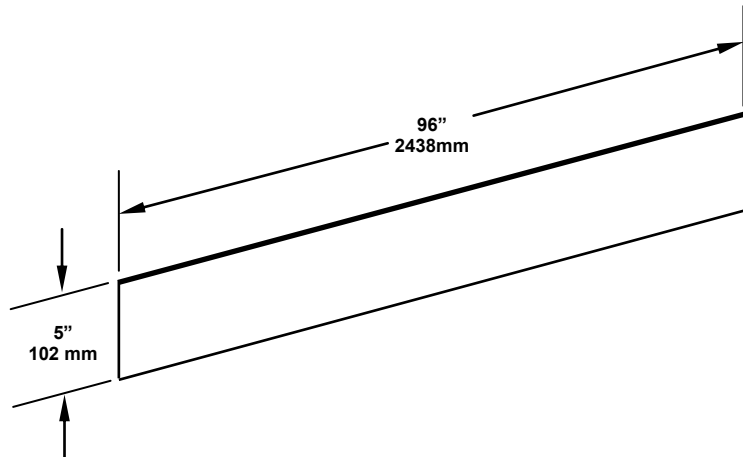
COLOR:



Economy Colors

- 11921 Black
- 11924 Sawdust
- 11925 Sand
- 11926 Khaki Brown
- 11927 Gray
- 11929 White
- 11930 Taupe
- 11931 Pale Yellow
- 11932 Ivory
- 11933 Brown

Additional colors available, call Factory for availability, lead time, and possible set up charges.



Installation

The rub rail must be unpacked immediately upon receipt and must lay flat for 24 hours prior to installation. Installation methods: Mastic adhesive (supplied separate) apply to back of the rub rail then apply rub rail to wall. Double sided tape (supplied separate), peel tape application strip away and apply to wall. See Installation Instructions for further details.

CUSTOMER:

PROJECT:

LOCATION:

ARCHITECT

WX14-5RR REVISED: 10/2/2015



wallprotex™

3750 Ohio Avenue
 St. Charles, IL 60174-5438
 Ph: 877-880-8115 Fax: 630-443-8930
 info@wallprotex.com