

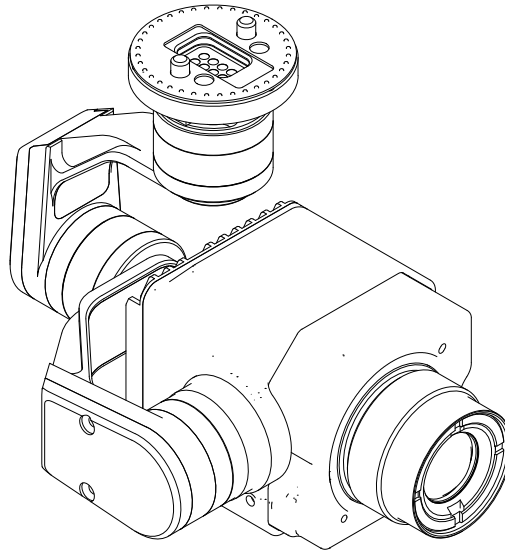
VISOR NX

LWIR Thermal camera



SPECIFICATIONS

VIZOR NX - LWIR THERMAL IMAGING CAMERA



- Sensor:** Uncooled VOx microbolometer, resolution: 640x512 or 336x256, 17um pixel size
- Spectral band:** 7.5-13.5 um
- Sensitivity:** 50mK @ f/1.0
- Advanced radiometry:** Available
- Scene range:** -40 deg. C to +550 deg. C
- Framerate:** 9Hz or 30Hz
- Power consumption:** Gimbal idle, recording 640x512 thermal video: <4W
- Video encoding:** Radiometric video saved to MicroSD card (playback software available for Windows, Mac, Linux), H.264 live stream
- Snapshots:** JPEG
- Storage:** MicroSD, up to 64GB

Resolution and lens options:

	640x512 13mm	640x512 19mm	336x256 13mm	336x256 19mm
FOV (degrees)	45x37	32x26	25x19	17x13
Model code	Vizor NX 640 13mm	Vizor NX 640 19mm	Vizor NX 336 13mm	Vizor NX 336 19mm

Other lens options (available on request): 7.5mm, 19mm, 25mm

GIMBAL

- Pointing resolution:** 0.5 mrad (0.00286 degrees)
- Pointing accuracy:** 1.75 mrad (0.1 degrees) typical
10 mrad (0.6 degrees) maximum
- Range of motion:** Yaw: +/- 170 degrees, Pitch: +45/-90 degrees, Roll: +/- 30 degree