

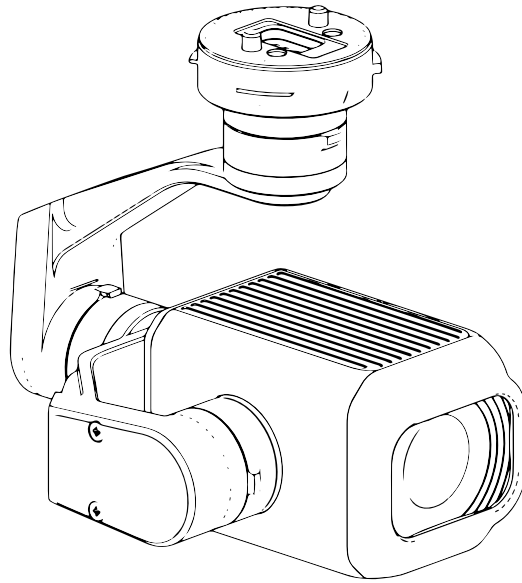
KALOS 35

LWIR Thermal camera



SPECIFICATIONS

KALOS 35 4K OPTICAL ZOOM CAMERA



- Sensor:** CMOS 1/2.3" 12.71 MP
- Max. Resolution:** 4152(H) x 3062(V)
- Focal length:** 3.85-13.4mm 3.1X optical zoom
- F-number:** F2.40(Wide) ~ F5.03 (Telephoto)
- Field of View:** 78(H)x63(V) deg wide, 26(H)x20(V) deg telephoto
- Max. video resolution:** 3840(H)x2160(V)
- Framerate:** 30 FPS
- Power consumption:** gimbal idle, recording encrypted video at max. resolution: <5W
- Video encoding:** H.264/H.265
- Snapshots:** JPEG
- Storage:** MicroSD, up to 64GB
- Minimum illumination:** 0.5 Lux/F2.4
- Operation environment:** -10°C .. +40°C temperature 20% to 80%RH
- Storage environment:** -20°C .. +70°C 20%to 95%RH

GIMBAL

- Pointing resolution:** 0.5 mrad (0.00286 degrees)
- Pointing accuracy:** 1.75 mrad (0.1 degrees) typical
10 mrad (0.6 degrees) maximum
- Range of motion:** Yaw: +/- 170 degrees, Pitch: +45/-90 degrees, Roll: +/- 30 degree

Document revision 19/11/2019