

VISOR FF

50
mK

30
FPS

640x480
RESOLUTION

≈R≈
RADIOMETRIC



ATLSDYNAMICS.EU



INTRODUCTION

The Visor FF camera is a new payload specially designed for AtlasPRO drone, supplied with a high quality F/1.0 lens and high sensitivity thermal sensor. Being made in the European Union, Visor FF is also an ITAR regulations free technology. The newly innovated camera has a compact and lightweight design, custom LWIR sensor with 50 Mk sensitivity provides precise temperature measurements at 640x480 | 30 FPS resolution.

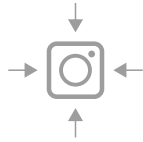
TOP FEATURES



ITAR regulations free technology



Made in European Union



Compact and lightweight design



Radiometric thermal data recorder



Per pixel temperature measurements



Atlas noise reduction technology



Integrated STANAG 4609 v.11



mavlink integration



H.264/.265 live streaming



Live Camera control settings



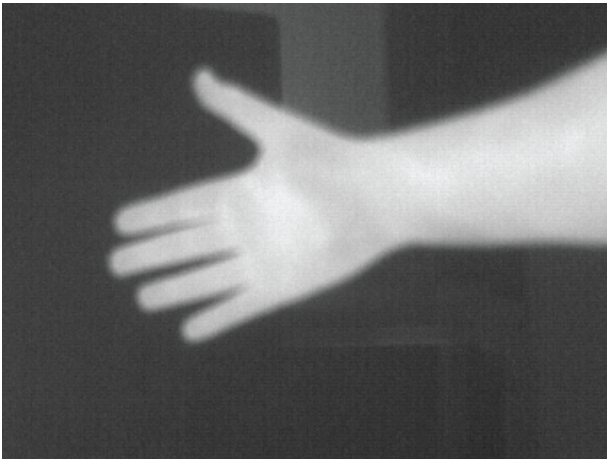
Thermal x10 digital zoom



Data stored in image

NOISE REDUCTION SAMPLE

ORIGINAL



DENOISED

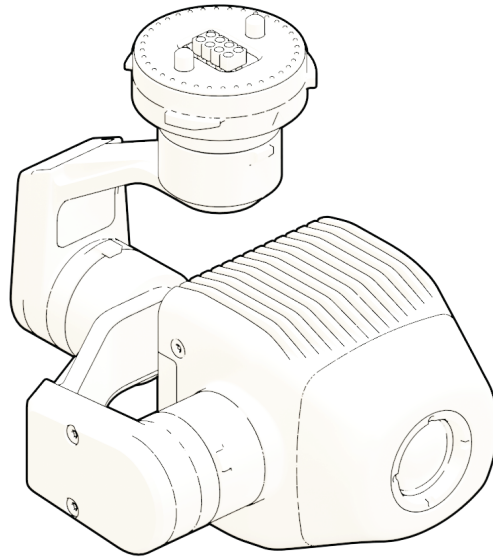


SAMPLE IMAGES



SPECIFICATIONS

VISOR FF - LWIR THERMAL CAMERA



Electrical power input: 12V DC Input, 5W max.

Weight: 90g without gimbal components

Resolution: 640x480

FrameRate: 30 FPS

NETD: 50mK

Ambient temp. range (operating): -40°.80° deg. C

Ambient temp. range(storage): -40°.80° deg. C

Scene temp. range: High gain: -40° C to + 160°; Low gain: -40°C to 550° C

Radiometric Temp. accuracy: +/- 1.5° K in High gain mode, +/- 3° K in Low gain mode

Shock: 200 g shock pulse with 11 msec. sawtooth

Temp. Shock: 5°/min

Environmental protection: IP54

Vibration: 4.3g 3 axes, 8 hours each

Humidity: 5-95% non-condensing

ROHS, REACH, WEEE: Compliant

Certification: CE, FCC

Video encoding: H.264 over RTSP

Configuration method: web-UI

Communication protocol: MAVlink

Document revision 07/08/2020