

FLEX180

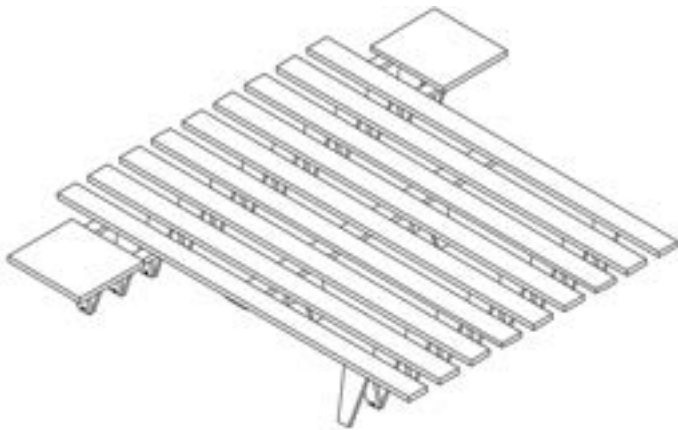
ASSEMBLY INSTRUCTIONS

PLEASE READ this sheet prior to assembly to familiarize yourself with the various stages of construction. Carefully open the pack supplied and check the contents against the parts and fittings check list.

Do not destroy any of the packaging until you are certain that you have all the necessary parts for the assembly.

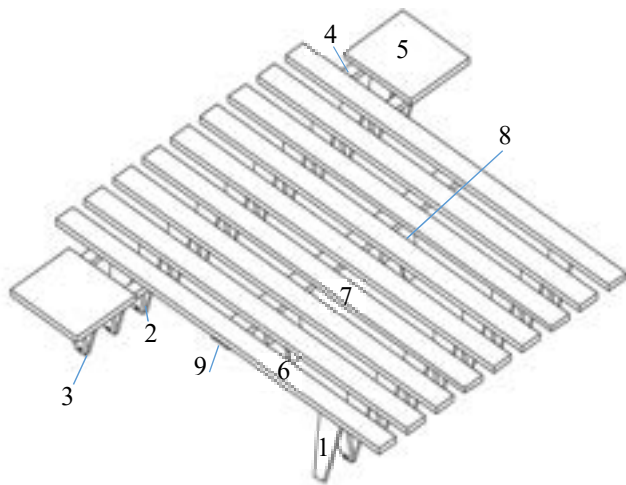
Please ensure that the packaging is disposed of in a safe environmentally friendly way.

CAUTION: There are small components used in the construction of this unit. These loose items should be kept away from young children whilst assembling your unit to avoid the danger of choking hazards.



Parts check list

Parts check list identification



Ref.	Description	Qty.
1	Foot Legs	1
2	Head Legs	1
3	NS Legs	2
4	Connector	4
5	Nightstand	2
6	Outer Slats	2
7	Inner Slats	7
8	Center Legs	2
9	Center Beam	1



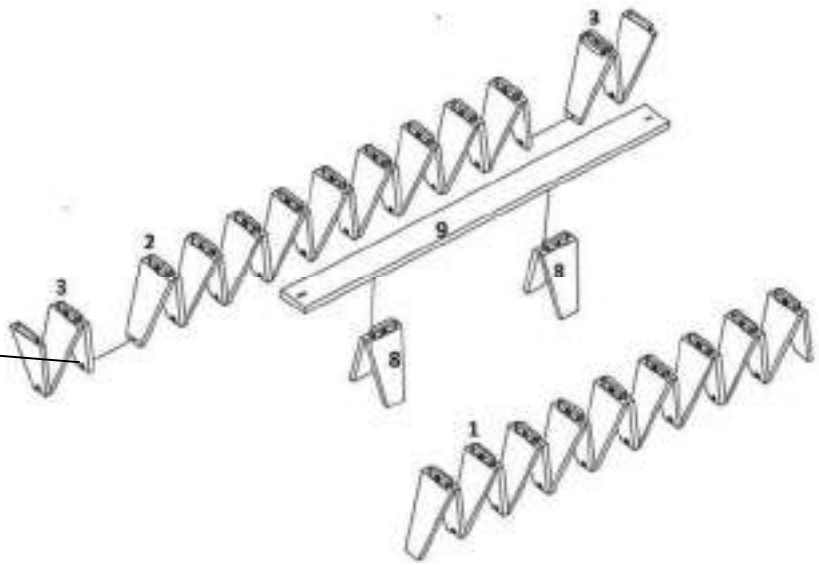
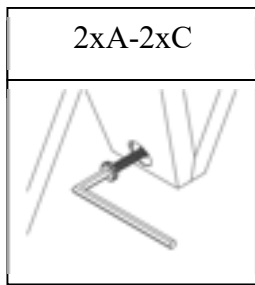
Fitting check list

Code.	Description	Qty.
A	Bolt (M6x25)	2
B	Bolt (M6x35)	10
F	Allen key	1
C	Washer	2

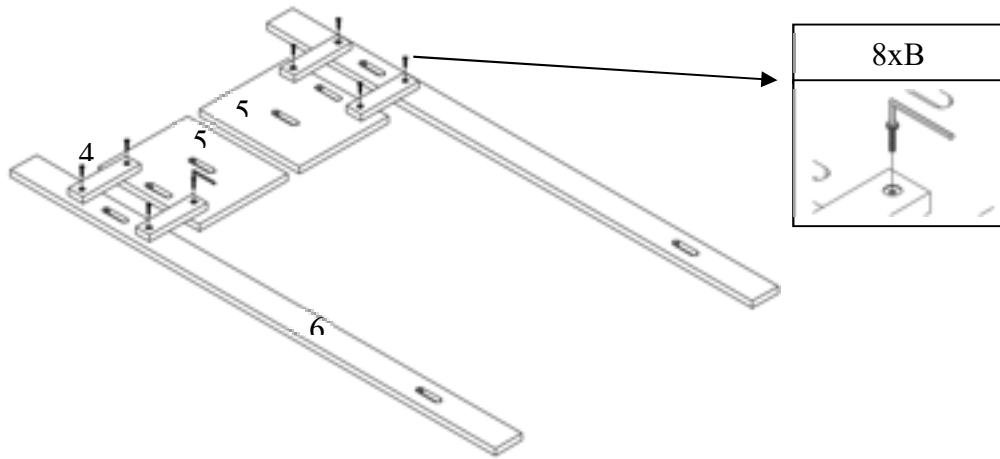


Assembly

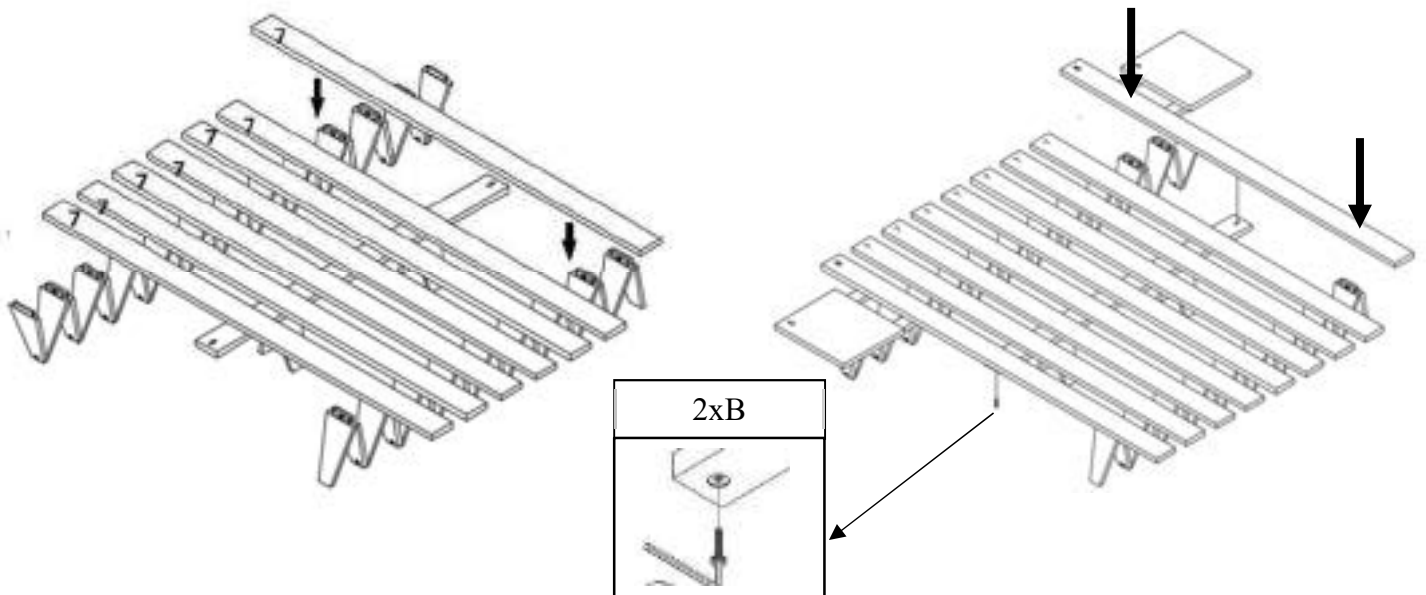
Stage 1



Stage 2



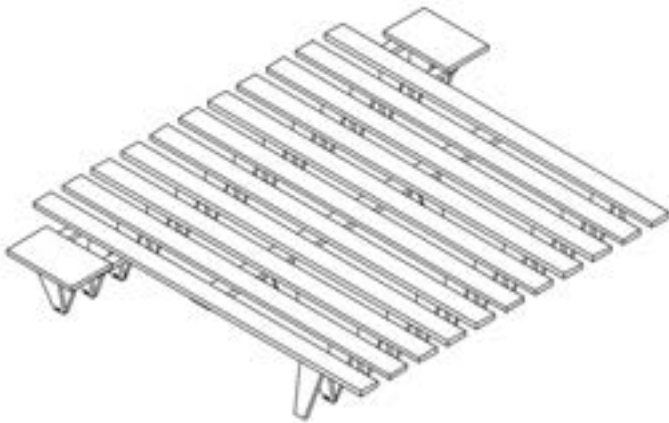
Stage 3



-DESIGNED BY QUAGGA DESIGNS INC.-

FLEX200

ASSEMBLY INSTRUCTIONS



PLEASE READ this sheet prior to assembly to familiarize yourself with the various stages of construction. Carefully open the pack supplied and check the contents against the parts and fittings check list.

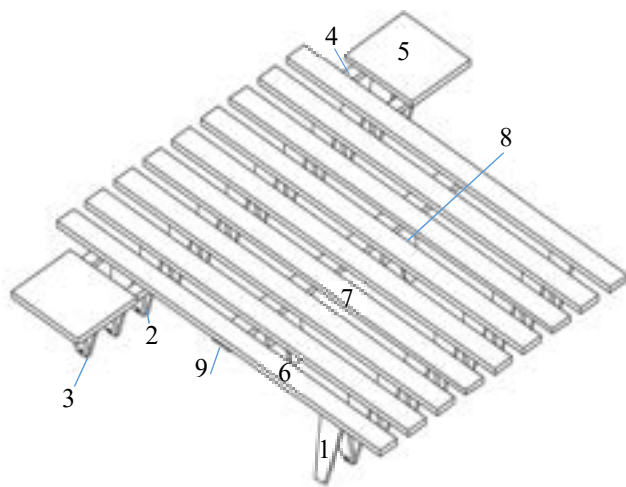
Do not destroy any of the packaging until you are certain that you have all the necessary parts for the assembly.

Please ensure that the packaging is disposed of in a safe environmentally friendly way.

CAUTION: There are small components used in the construction of this unit. These loose items should be kept away from young children whilst assembling your unit to avoid the danger of choking hazards.

Parts check list

Parts check list identification



Ref.	Description	Qty.
1	Foot Legs	1
2	Head Legs	1
3	NS Legs	2
4	Connector	4
5	Nightstand	2
6	Outer Slats	2
7	Inner Slats	9
8	Center Legs	2
9	Center Beam	1



Fitting check list

Code.	Description	Qty.
A	Bolt (M6x25)	2
B	Bolt (M6x35)	10

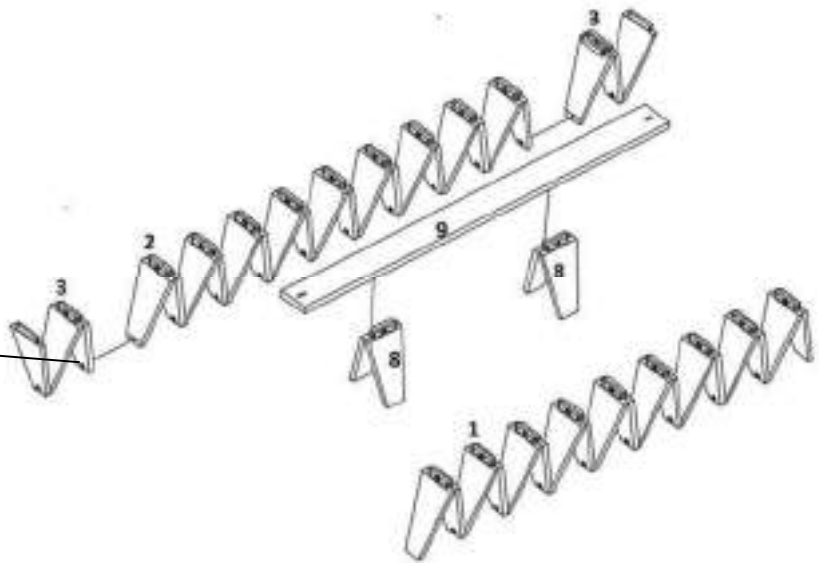
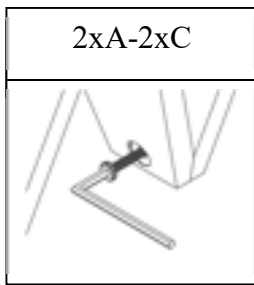


Code.	Description	Qty.
F	Allen key	1
C	Washer	2

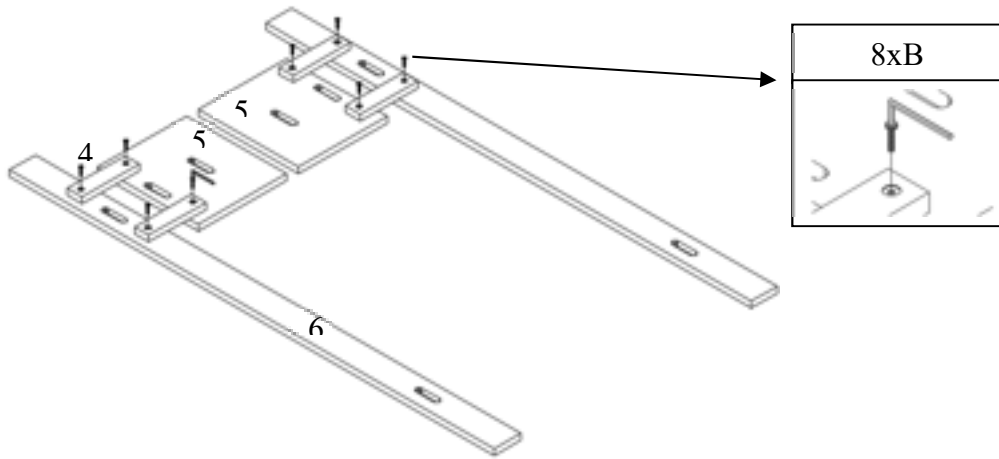


Assembly

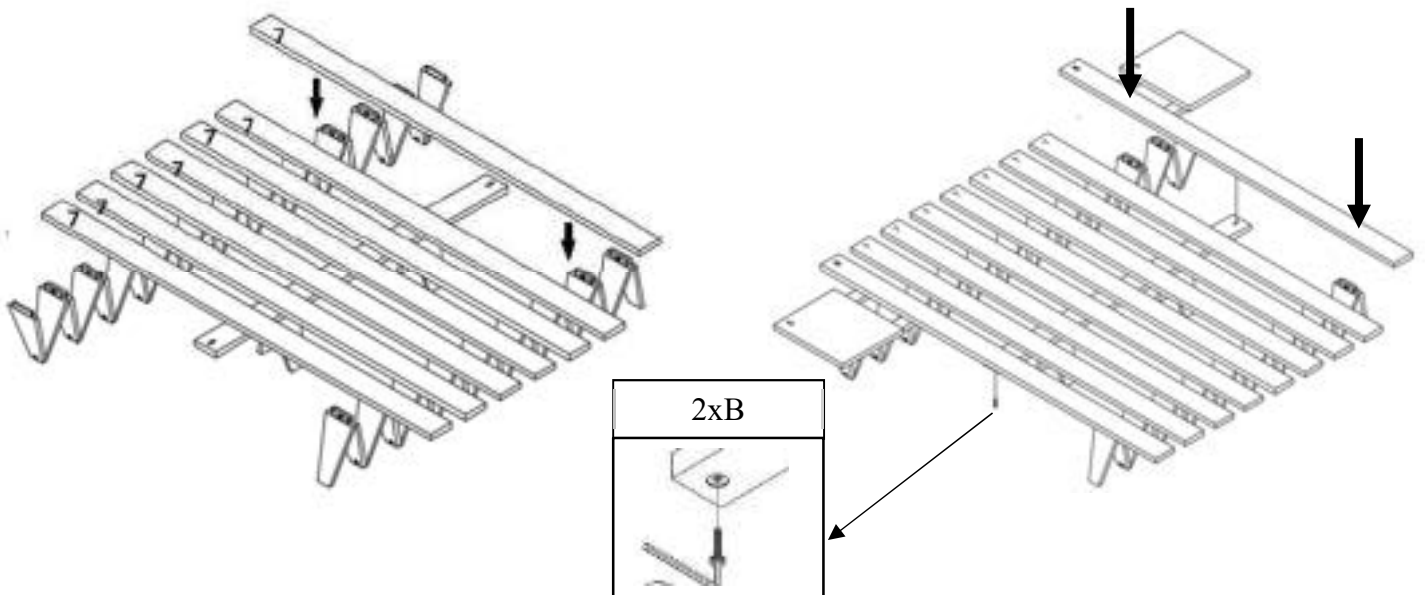
Stage 1



Stage 2



Stage 3



-DESIGNED BY QUAGGA DESIGNS INC.-