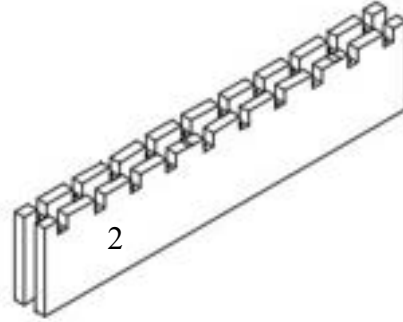
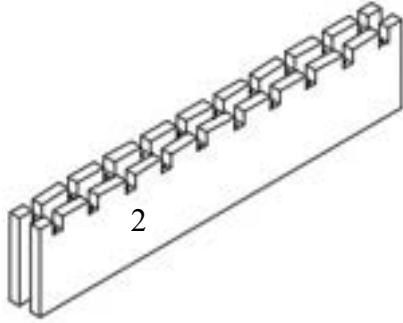
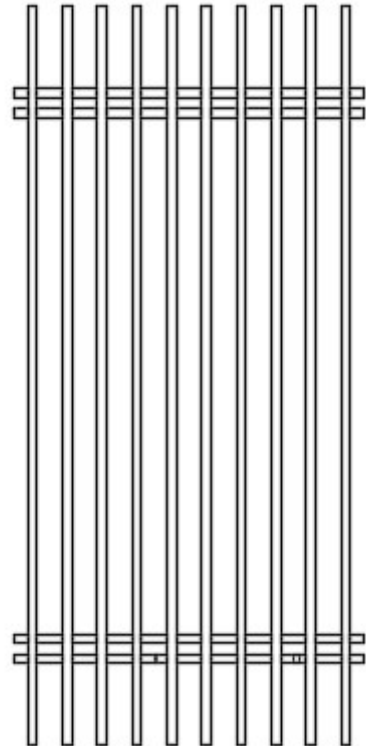
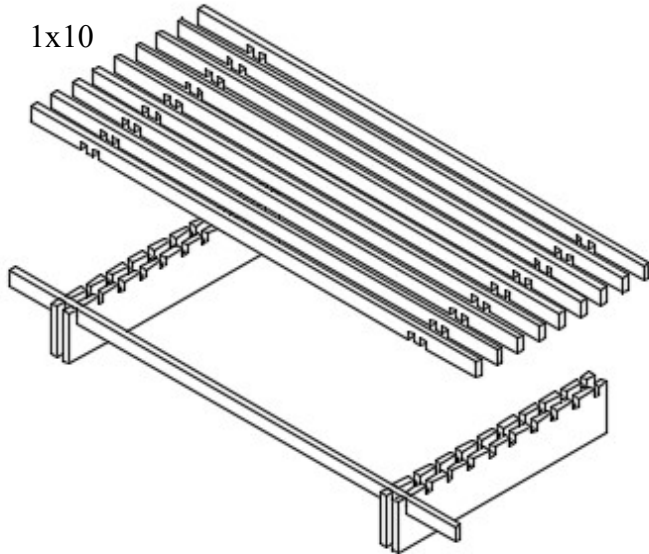


Single Size

Stage 1

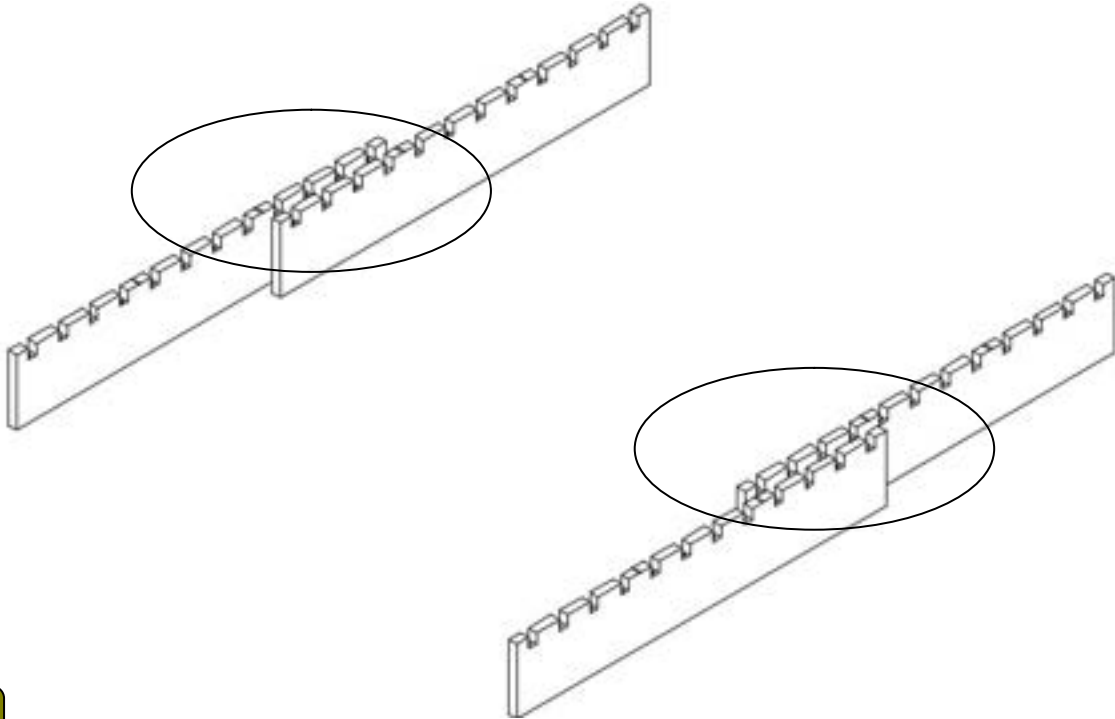
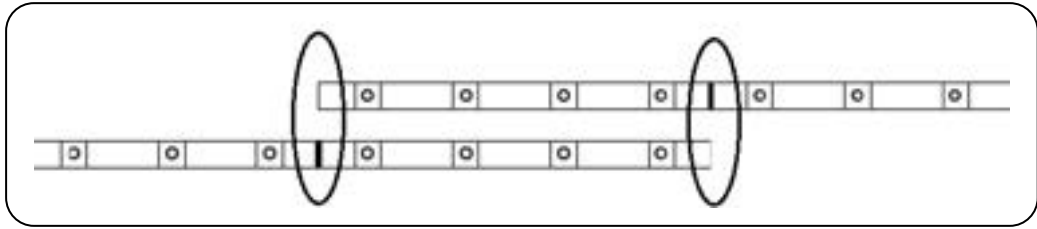


Stage 2



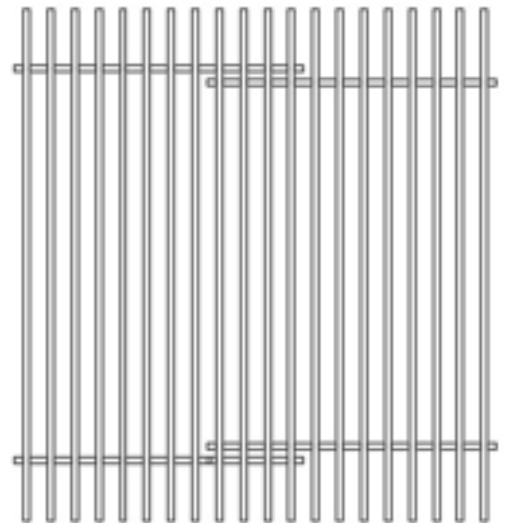
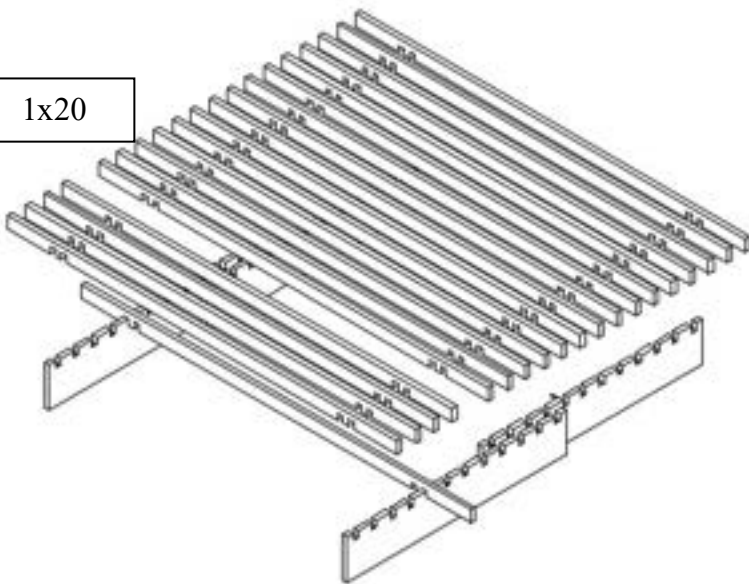
King Size

Stage 1



Stage 2

1x20



-DESIGNED BY QUAGGA DESIGNS INC.-