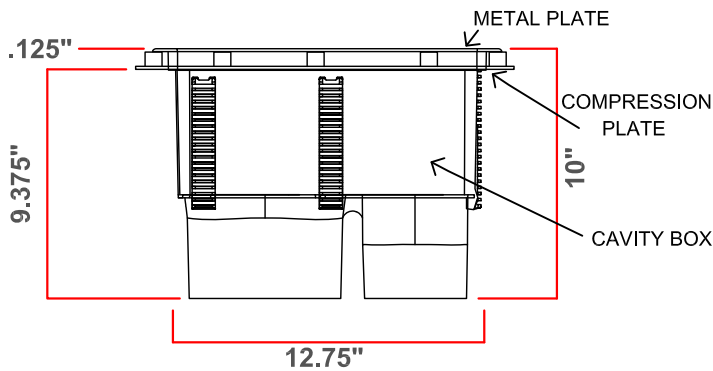
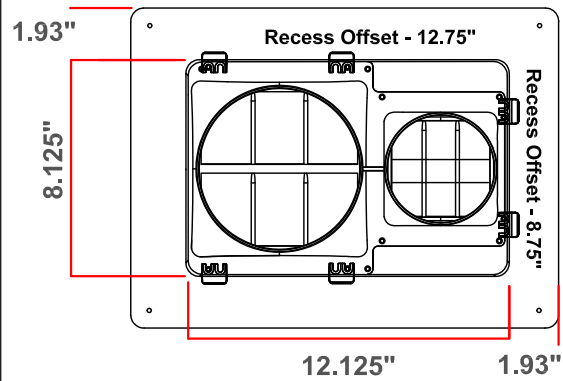


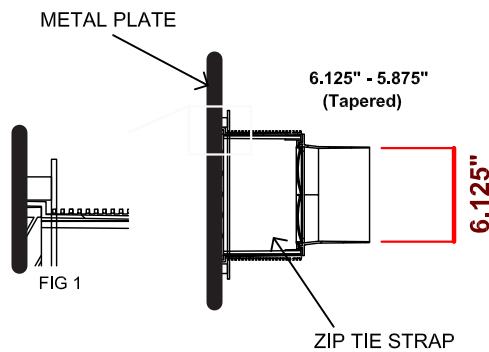
**A** SIDE VIEW



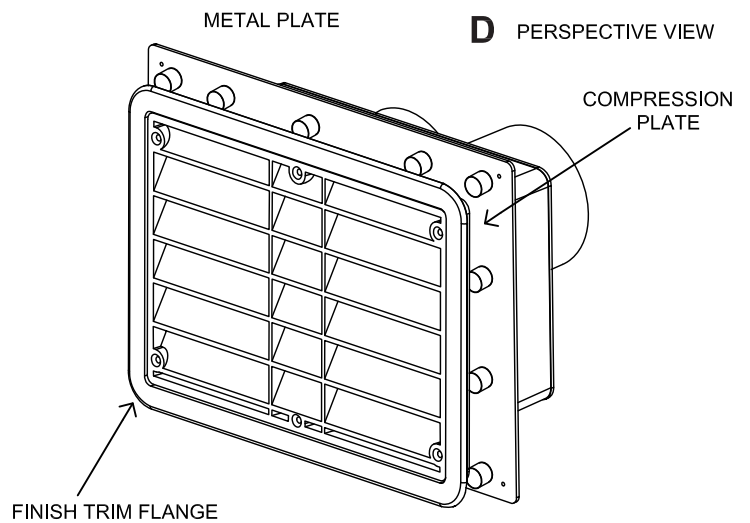
**B** REAR VIEW



**C** SECTIONAL VIEW



**D** PERSPECTIVE VIEW



## DHEB-DL-FC INSTALLATION GUIDE

1. Apply a generous amount of high grade construction sealant around the backside of finish trim flange perimeter. (Recommended sealant: Sikaflex- 201 or other high grade exterior sealant)
2. Insert X Vent Box into properly sized opening and press firmly into place. Wipe off excess sealant.
3. Slide compression plate over backside of cavity box. Install compression clips and secure with screws (included).
4. Strap perimeter of box with heavy duty zip tie strap (not included).

### OPERATION AND MAINTENANCE PROCEDURES

Our products are designed to require minimum or no maintenance. The recessed cavity boxes and in-line sleeves contain only one or two moving parts (gravity dampers) depending on the model.

#### Annual Inspections and Maintenance:

An annual visual inspection of the dryer, bathroom and residential kitchen exhaust termination box or sleeve is recommended.

#### Dryer Applications:

Inspection of exhaust boxes or in-line sleeves used in conjunction with dryer exhaust may require more frequent inspection due to frequency of use.

#### Required:

1. Removal all visual lint in and around the box or sleeve, particularly around the damper frame assembly and gravity damper.

#### Recommended:

2. Confirm that the duct between the dryer and the termination box is free of lint build up.