

KE1501

BUSHING/TERMINAL COVER – HOT STICKABLE – 4.5” DIA S 8”L



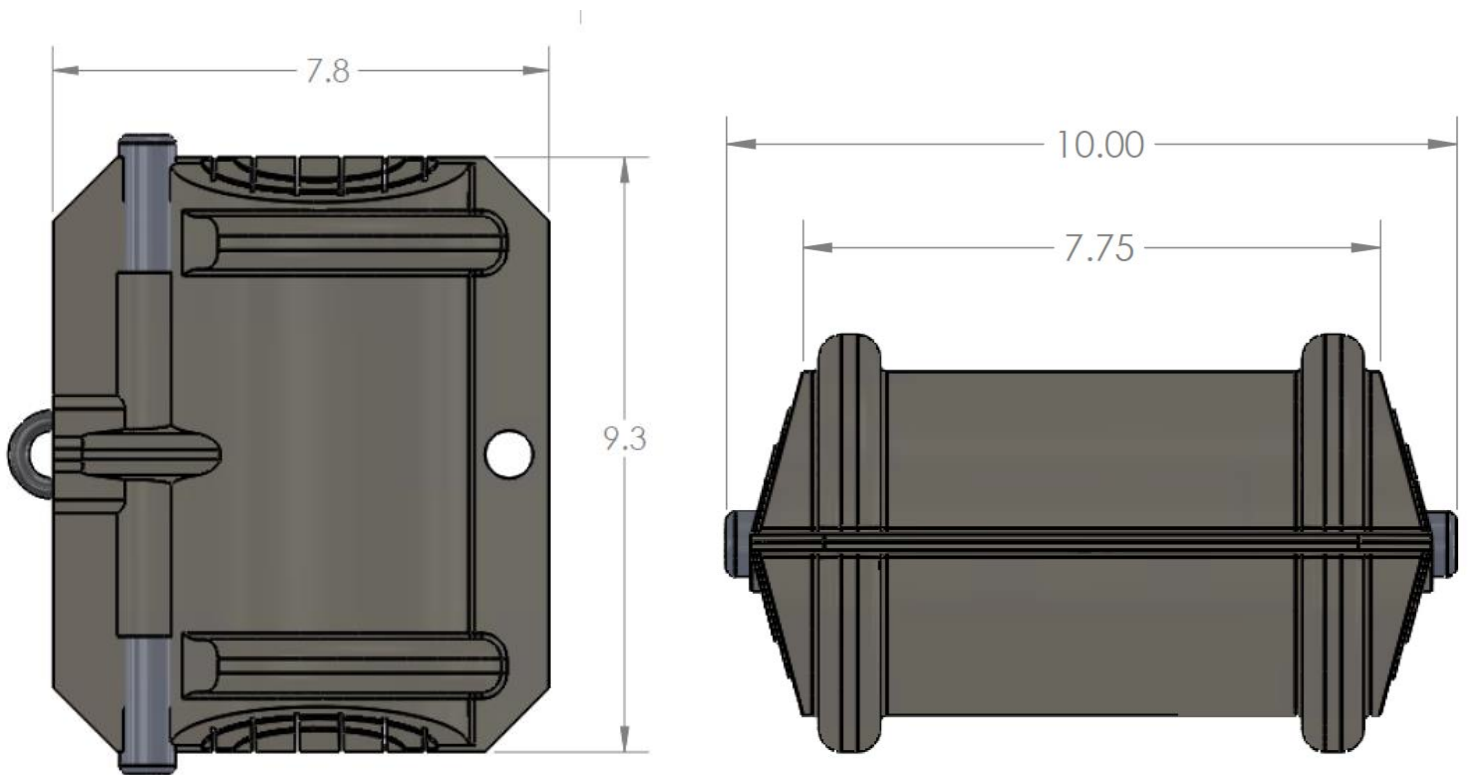
KEY FEATURES:

- IEEE 1656 & ASTM Tested
- V-0 Flammability Classification
- UV Resistant
- Installed with Hot Stick
- Fingered egress detail allows for various conductor angles and sizes
- Easily installed and reusable for routine maintenance
- More sizes available to accommodate most bushing sizes

BIRDCUARD™ PRODUCTS DELIVER A TRIPLE WIN:



1. Reliability for Customers
2. Utility Asset Sustainability
3. Positive Environmental Impact



MATERIAL TESTING INFORMATION

ASTM TEST	DESCRIPTION	SPECIFICATIONS
ELECTRICAL DIELECTRIC STRENGTH	D-149-09 (TESTED IN OIL)	PASS > 49KV
ELECTRICAL DIELECTRIC STRENGTH	D-149-09 (TESTED IN AIR)	PASS > 72KV
TRACKING	D-3638-12	PASS
TENSILE STRENGTH	D-638-10 (BEFORE EXPOSURE)	6570 PSI
TENSILE STRENGTH	D-638-10 (AFTER XENON ARC EXPOSURE)	6480 PSI
TENSILE IMPACT	D-1822-13 (BEFORE EXPOSURE)	78.4 FT-LBS/IN SQ
TENSILE IMPACT	D-1822-13 (AFTER XENON ARC EXPOSURE)	69.3 FT-LBS/IN SQ
FLAMMABILITY	D-3801 (UL94)	PASS V-0