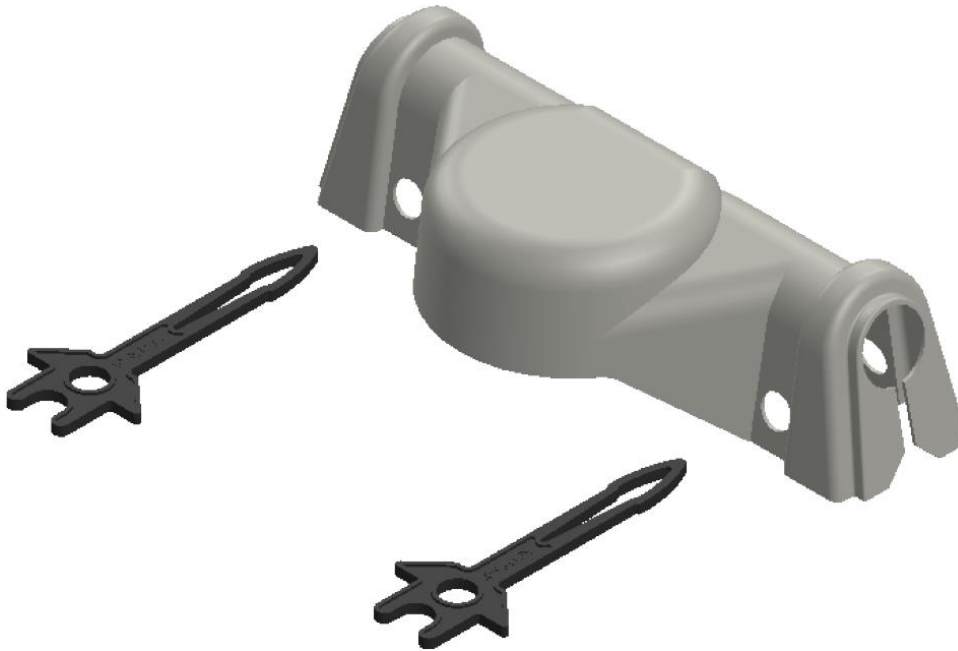


## **KE1222**

LINE PROTECTOR – SIDE TIE - WITH PINS – 13.9” L

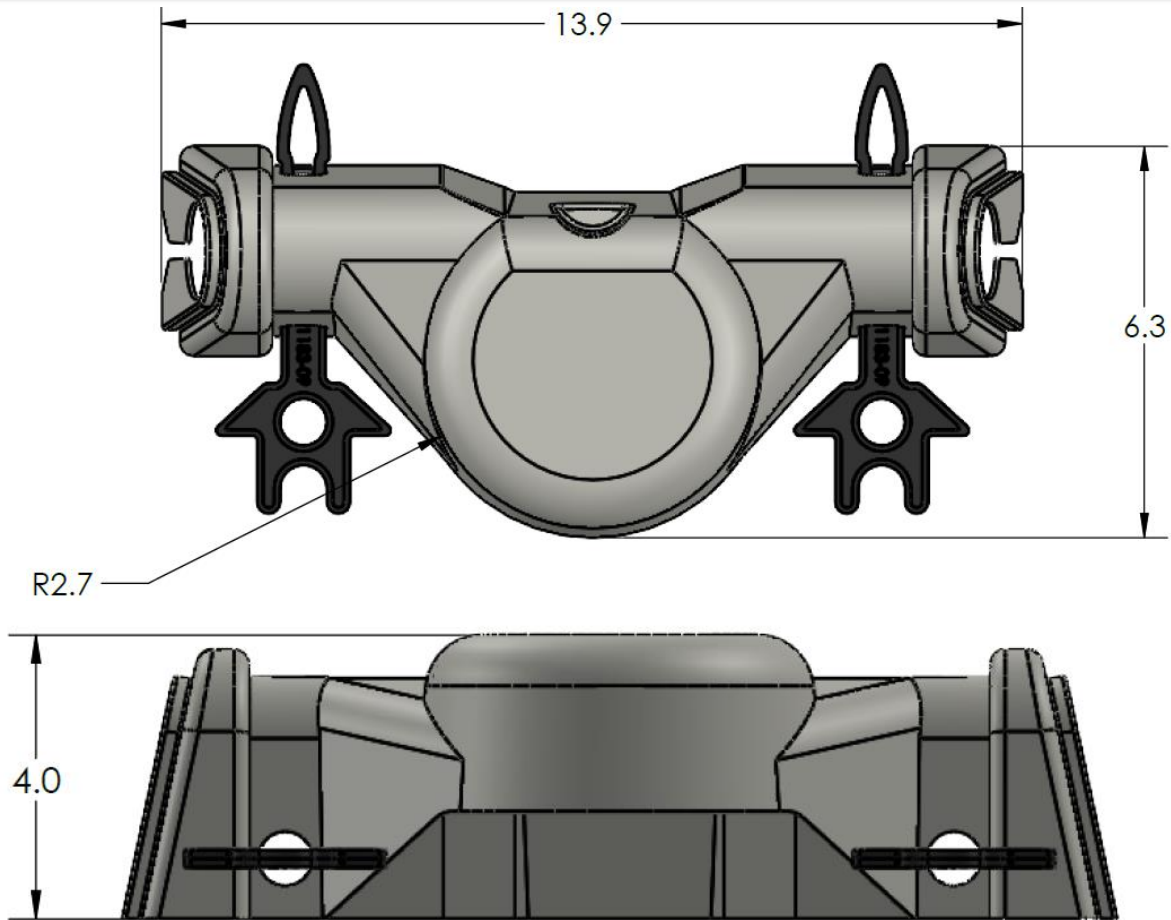


### **KEY FEATURES:**

- IEEE 1656 & ASTM Tested
- V-0 Flammability Classification
- UV Resistant
- Locking pins secure long term coverage
- Compatible with extension arms or over Birdhose
- Fast and Easy Installation with or without hot stick

### **BIRDCUARD™ PRODUCTS DELIVER A TRIPLE WIN:**





## MATERIAL TESTING INFORMATION

ASTM TEST	DESCRIPTION	SPECIFICATIONS
ELECTRICAL DIELECTRIC STRENGTH	D-149-09 (TESTED IN OIL)	PASS > 49KV
ELECTRICAL DIELECTRIC STRENGTH	D-149-09 (TESTED IN AIR)	PASS > 72KV
TRACKING	D-3638-12	PASS
TENSILE STRENGTH	D-638-10 (BEFORE EXPOSURE)	6570 PSI
TENSILE STRENGTH	D-638-10 (AFTER XENON ARC EXPOSURE)	6480 PSI
TENSILE IMPACT	D-1822-13 (BEFORE EXPOSURE)	78.4 FT-LBS/IN SQ
TENSILE IMPACT	D-1822-13 (AFTER XENON ARC EXPOSURE)	69.3 FT-LBS/IN SQ
FLAMMABILITY	D-3801 (UL94)	PASS V-0