

## **KE1052-71**

**POLE CAP – FLANGED – 7.1” DIA**



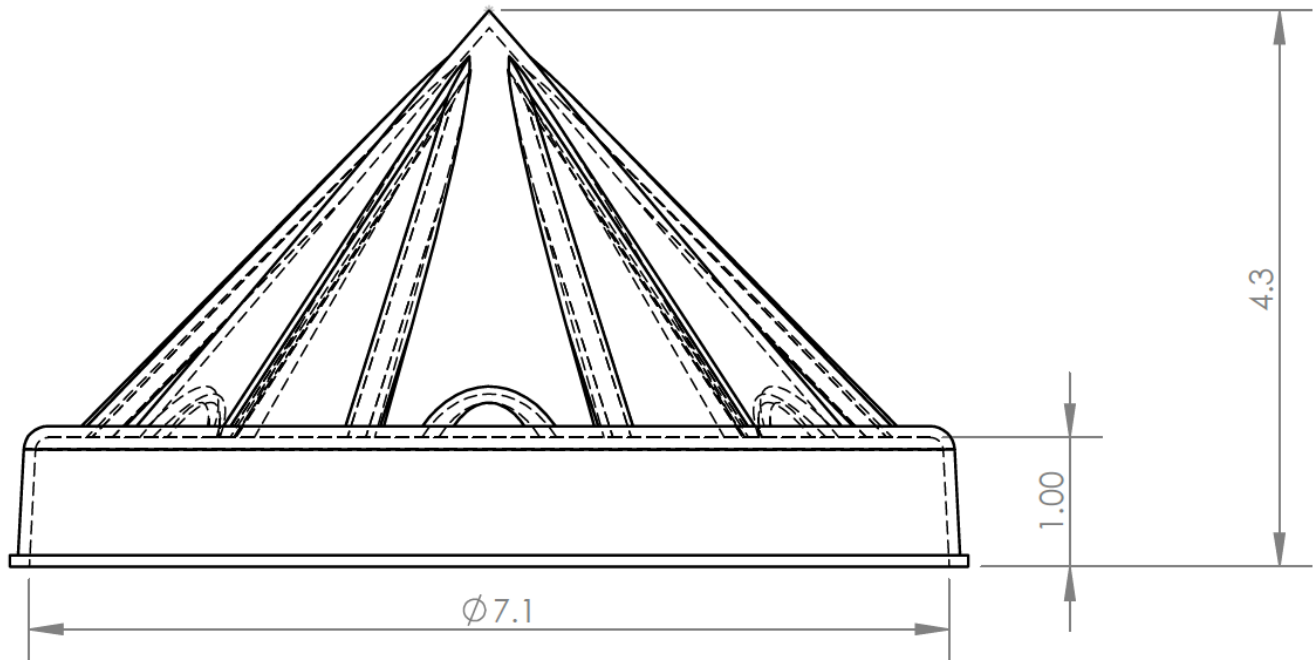
### **KEY FEATURES:**

- IEEE 1656 & ASTM Tested
- V-0 Flammability Classification
- UV Resistant
- Material rated up to 72KV
- Discourages both perching and nesting
- Easily installed and reusable for routine maintenance
- Multiple sizes available to accommodate various pole diameters

### **BIRDCUARD™ PRODUCTS DELIVER A TRIPLE WIN:**



1. Reliability for Customers
2. Utility Asset Sustainability
3. Positive Environmental Impact



## MATERIAL TESTING INFORMATION

| ASTM TEST                      | DESCRIPTION                          | SPECIFICATIONS    |
|--------------------------------|--------------------------------------|-------------------|
| ELECTRICAL DIELECTRIC STRENGTH | D-149-09 (TESTED IN OIL)             | PASS > 49KV       |
| ELECTRICAL DIELECTRIC STRENGTH | D-149-09 (TESTED IN AIR)             | PASS > 72KV       |
| TRACKING                       | D-3638-12                            | PASS              |
| TENSILE STRENGTH               | D-638-10 (BEFORE EXPOSURE)           | 6570 PSI          |
| TENSILE STRENGTH               | D-638-10 (AFTER XENON ARC EXPOSURE)  | 6480 PSI          |
| TENSILE IMPACT                 | D-1822-13 (BEFORE EXPOSURE)          | 78.4 FT-LBS/IN SQ |
| TENSILE IMPACT                 | D-1822-13 (AFTER XENON ARC EXPOSURE) | 69.3 FT-LBS/IN SQ |
| FLAMMABILITY                   | D-3801 (UL94)                        | PASS V-0          |