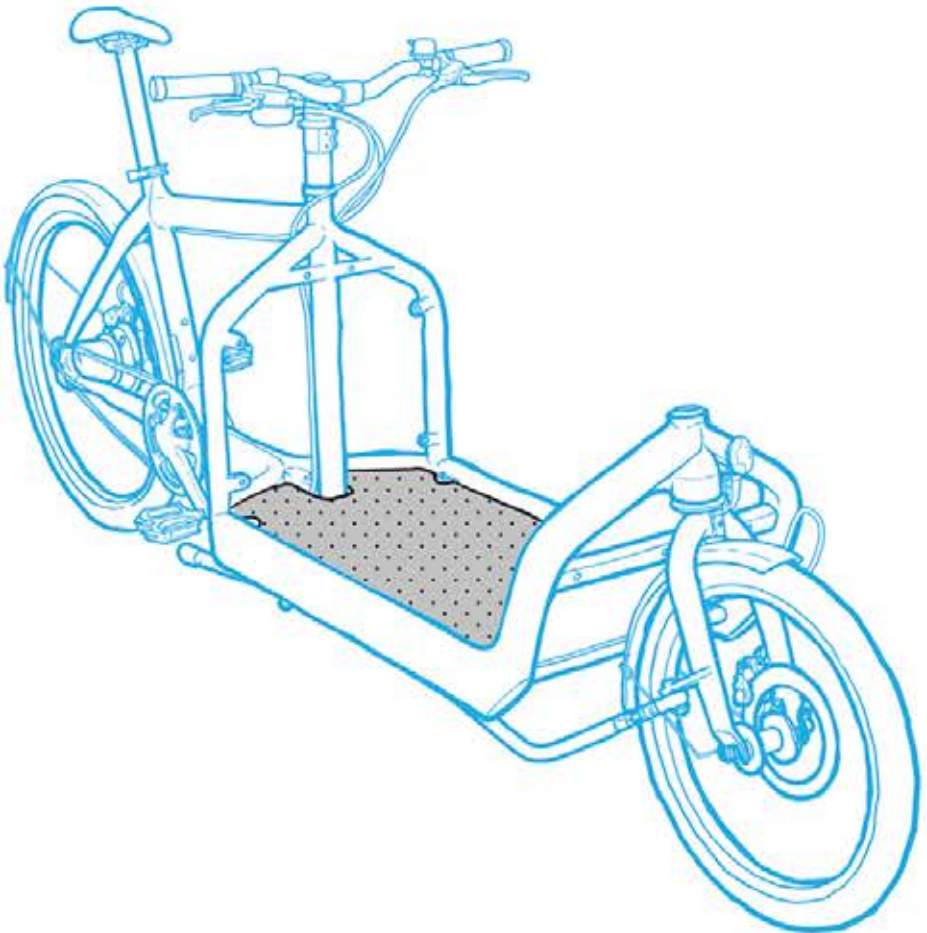




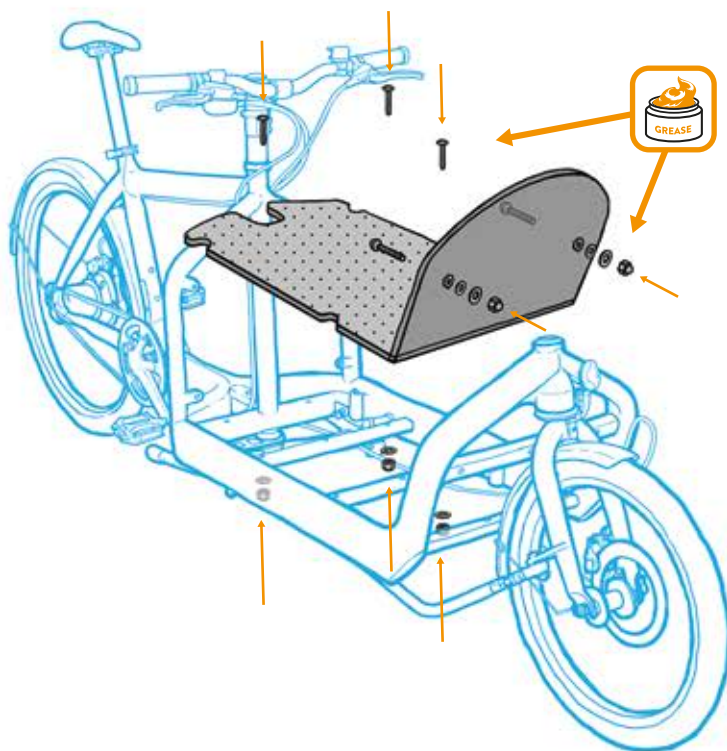
Honeycomb Board Assembly Manual

by Larry vs Harry



Step 1

Attach the Honeycomb Board to the Bullitt frame



Tools required



Wrench/Spanner

10
mm



Phillips Screwdriver



Grease
(metal on metal)

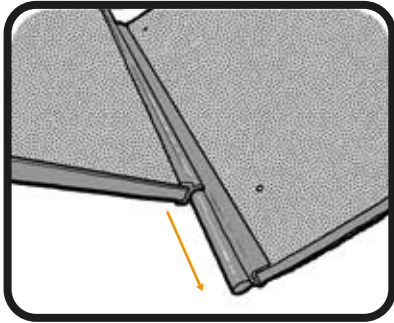
In the box



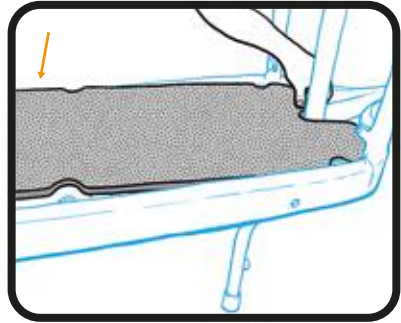
x3

x2

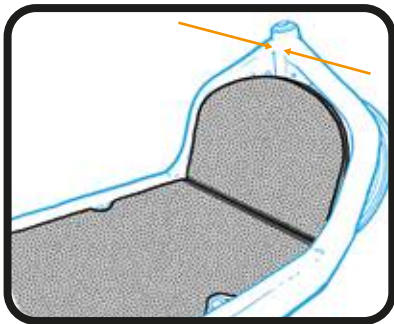
*If installing the BBX Sidepanel Kit,
the front plate nuts and bolts
are not required



1 Slide the front plate and bottom plate together...



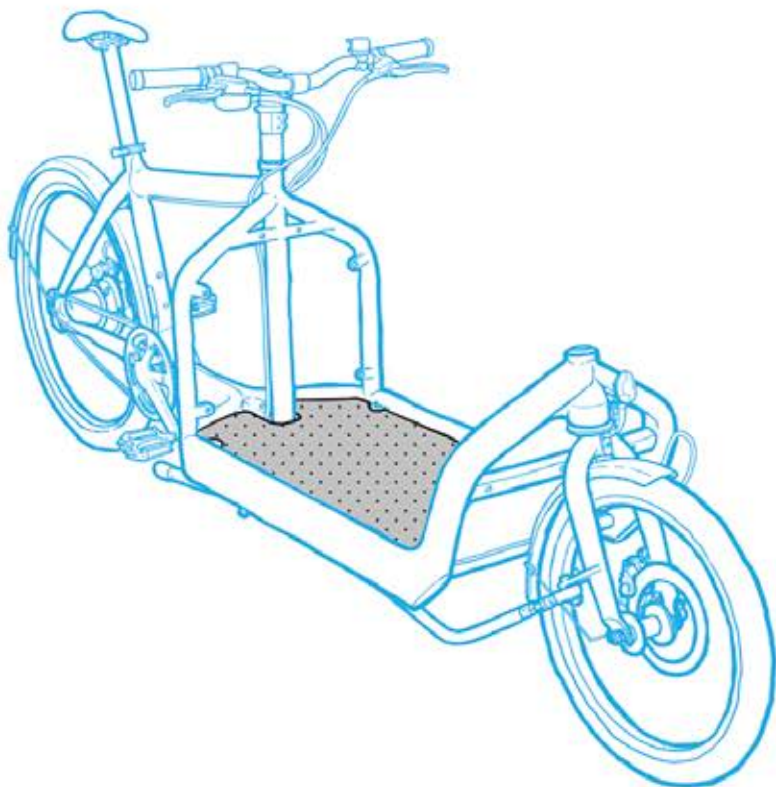
2 ...and place the two sections onto the frame. Rear end first.

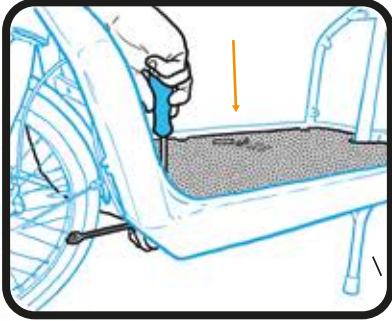


3 Ensure the plate is aligned in the center of the frame.

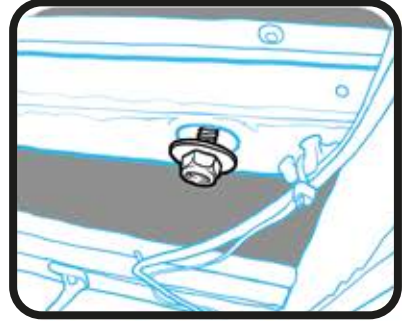
Step 2

Tighten screws and bolts

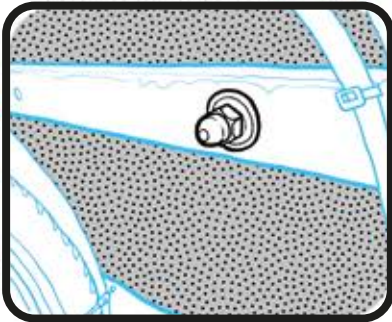




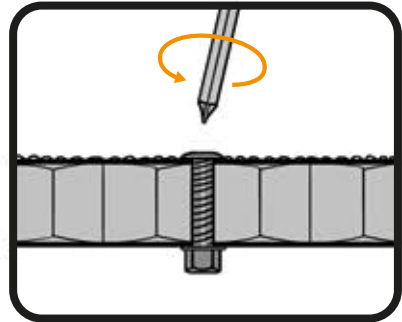
- 1 Place your tools on the middle of the plate.



- 2 The three thread locked nuts lie underneath the bottom plate...



- 3 ...and the two closed end nuts attach to the front plate.



- 4 Screw tension should indicate a small dimple on the honeycomb surface.



Contact your local dealer
if you need help or need more info

www.larrysharry.com