



# INSTALLATION REQUIREMENTS

## BRIEF

The Melitta Cafina XT6 is delivered in a ready-to-connect state.

Prior to the installation, the required connections must be provided by the client and easily accessible within a range of 1.5m at the installation point.

This preliminary work must be provided by qualified trade professionals in compliance with applicable regulations.

Coffee Republic's technicians are **not** authorised for this kind of work and assumes no liability for installation failure arising out of site unreadiness.

## DIMENSIONS

- **Coffee Machine** 300mm x 580mm x 860mm (W x D x H)
- **Milk Fridge** 300mm x 580mm x 640mm (W x D x H)

## WORKS TO BE PERFORMED BY THE CLIENT

- **Bench**
- **Cable Access Hole in Bench**
- **Electrical Power**
- **Water Connection**
- **Waste Connection**

## BENCH

The machine must be set up on a levelled bench surface.

A Cable Access Hole of about 50-60mm must be provided at an approximately 350mm to 415mm from the front of the coffee machine for installing the connection hoses and cables.

## ELECTRICAL CONNECTIONS

### Coffee Machine

Fuse Protection	15Amps	Single Phase
Mains Connection	240V / 50-60	Hz
Power Consumption	3.7	kW

### Milk Fridge

Fuse Protection	10Amps	Standard
Mains Connection	240V / 50-60	Hz
Power Consumption	1.07	kW

# INSTALLATION REQUIREMENTS

## FRESH WATER CONNECTION

- **Fresh Water Connection** 3/8 male thread with a stop tap
- **Water Pressure** Min 0.25 MPa (2.5 bar at approx. 2L per min)
- **Water Hardness** Max 70mg CaO/1 l water (7dH, 13
- **Chlorine Content** Max 100mg/l
- **Ideal pH Value** 7

## DRAINAGE FOR WASTE

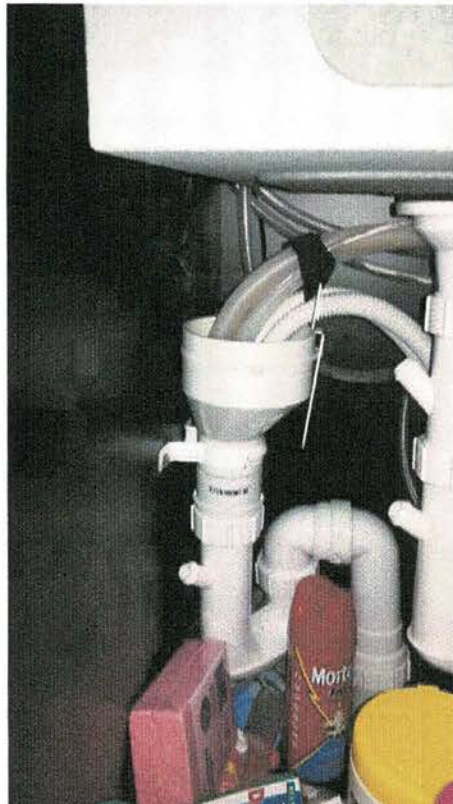
### Waste Connection

A ventilated odour trap / s-bend with an open tun-dish must be provided



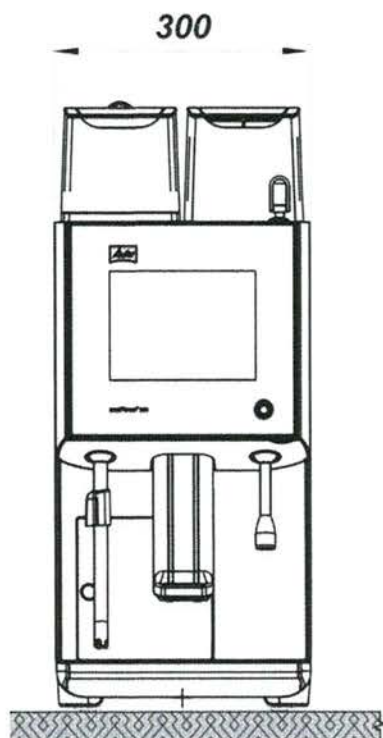
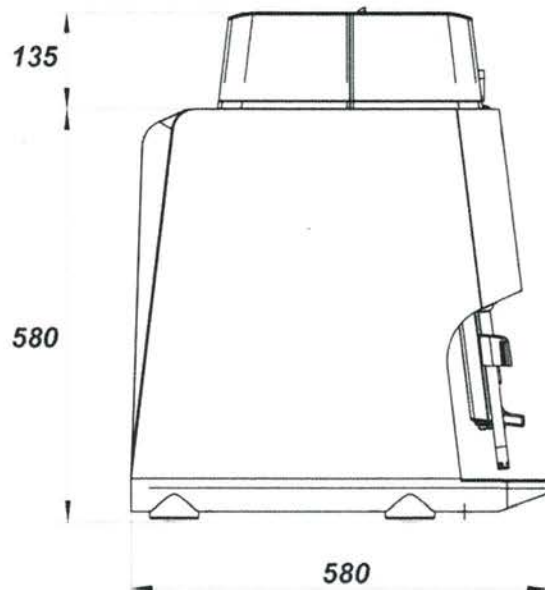
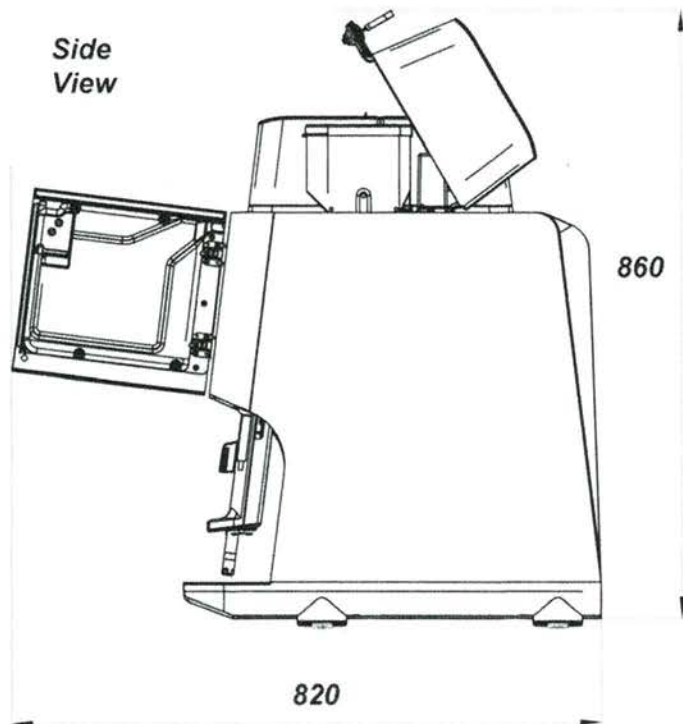
The waste out of the coffee machine drains by way of gravity. The waste connection must be provided with a gravity feed / enough fall to ensure rapid drainage.

Waste traps with side connections are not suitable to connect the coffee machine.



# INSTALLATION REQUIREMENTS

## CAD VIEWS



Milk Fridge

300



# INSTALLATION REQUIREMENTS

## PLACEMENT ILLUSTRATION AND CABLE ACCESS HOLE

