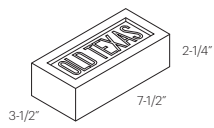
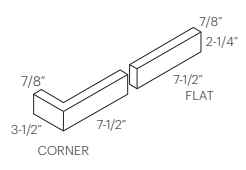



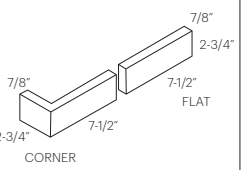


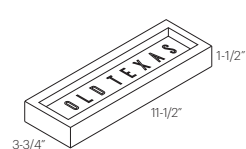
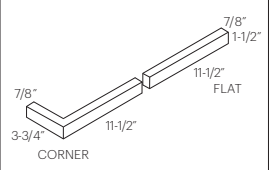
OLD TEXAS BRICK

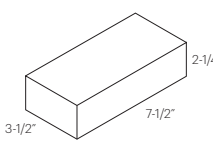
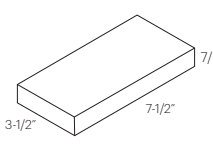
AVAILABLE SIZES & SPECS

EFFECTIVE JUNE 2021

MODULAR SIZE			
 <p>3-1/2" 7-1/2" 2-1/4"</p>	FULL SIZE BRICK	PIECES PER S.F.	6.5 PC
		PIECES PER PALLET	860 PC
		PIECES PER TRUCKLOAD	12,040 PC
		WEIGHT PER PIECE	3.85 LB
 <p>7/8" 7-1/2" 2-1/4" 7-1/2" FLAT 3-1/2" 7-1/2" 7/8" CORNER</p>	THIN CUT BRICK	PIECES PER S.F.	6.5 PC
		PIECES PER L.F.	4.5 PC
		PIECES PER PACKAGE	PACKAGING IS DONE TO THE EXACT AMOUNT REQUESTED
		WEIGHT PER FLAT	0.95 LB
		WEIGHT PER CORNER	1.35 LB

QUEEN SIZE			
 <p>2-3/4" 7-1/2" 2-3/4"</p>	FULL SIZE BRICK	PIECES PER S.F.	5.5 PC
		PIECES PER PALLET	948 PC
		PIECES PER TRUCKLOAD	12,324 PC
		WEIGHT PER PIECE	3.70 LB
 <p>7/8" 7-1/2" 2-3/4" 7-1/2" FLAT 2-3/4" 7-1/2" 7/8" CORNER</p>	THIN CUT BRICK	PIECES PER S.F.	5.5 PC
		PIECES PER L.F.	4 PC
		PIECES PER PACKAGE	PACKAGING IS DONE TO THE EXACT AMOUNT REQUESTED
		WEIGHT PER FLAT	1.25 LB
		WEIGHT PER CORNER	1.40 LB

MID CENTURY 12"			
 <p>3-3/4" 11-1/2" 1-1/2"</p>	FULL SIZE BRICK	PIECES PER S.F.	6 PC
		PIECES PER PALLET	860 PC
		PIECES PER TRUCKLOAD	11,180 PC
		WEIGHT PER PIECE	4.15 LB
 <p>7/8" 11-1/2" 1-1/2" 7-1/2" FLAT 3-3/4" 11-1/2" 7/8" CORNER</p>	THIN CUT BRICK	PIECES PER S.F.	6 PC
		PIECES PER L.F.	6 PC
		PIECES PER PACKAGE	PACKAGING IS DONE TO THE EXACT AMOUNT REQUESTED
		WEIGHT PER FLAT	1.10 LB
		WEIGHT PER CORNER	1.40 LB

PAVER MODULAR SIZE			
 <p>3-1/2" 7-1/2" 2-1/4"</p>	FULL SIZE BRICK	PIECES PER S.F.	4.5 PC
		PIECES PER PALLET	900 PC
		PIECES PER TRUCKLOAD	11,700 PCS
		WEIGHT PER PIECE	4.0 LB
 <p>3-1/2" 7-1/2" 7/8"</p>	THIN CUT BRICK	PIECES PER S.F.	4.5 PC
		PIECES PER L.F.	N/A
		PIECES PER PACKAGE	PACKAGING IS DONE TO THE EXACT AMOUNT REQUESTED
		WEIGHT PER FLAT	1.70 LB