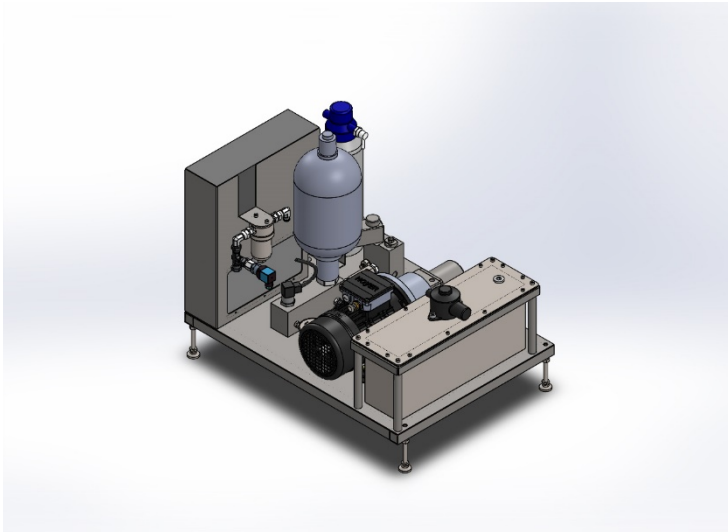


Data Sheet

Hydract Power Pack



Product description

The Power pack serves the same purpose as a typical compressor does for pneumatic actuators, but with water instead of air.

The Power Pack is the driving force of the actuator(s) and delivers 50 bar of pressurized water or a water glycol mix. The Power Pack is a necessity when using HYDRACT actuators. The Power Pack includes an accumulator and/or an uninterruptible power supply (UPS) which works as a fail-safe if a power failure should occur. The accumulator can also be placed independently from the power pack for larger systems ensuring reliable and efficient operation

of the system.

The accumulator works as a pressure storage device as well as a hydraulic transient damper to ensure that the pump does not need to continuously run or cause pressure transients in the system. It is recommended to include both an uninterruptible power supply and accumulators for larger systems.

The Power Pack comes equipped with a reverse osmosis system. Optional UV sterilizer is also available for added safety.

Features and benefits

- A fully closed system
- Accumulator for pressure storage
- Energy savings due to using an incompressible fluid
- Communication through AS-I BUS for reset and errors
- Control sensors for tank level, temperature and pressure
- Installed sensors monitor the condition of the power pack, warning when maintenance should be performed

Technical data

Pressure output	The Power pack delivers 50 bar.
Hydraulic fluid	The Power pack can be used with water and glycol mix or with regular tap water.
Reverse Osmosis	The water entering the system will pass through a Reverse Osmosis (RO) system. The water is also periodically circulated through the RO system to ensure long term cleanliness.
Accumulator / UPS	The accumulator and the uninterruptible power supply (UPS) size are calculated from the number of valves required to be operated in the event of a power failure.
UV-sterilizing unit	The optional UV-sterilizer can further increase safety against bacteria growth and ensure a clean and sterile water supply to the actuators in the long term.
Overall dimensions	The pump, accumulator, UPS, and the water tank in general determine the overall size of the power pack and will increase in size accordingly to the amount and use of actuators in the installation.
Input/Output connections	Return line: 3/8" up to 1.½" BSPP. Pressure line: 1/4" up to 1" BSPP. (depending on the power pack size). Water inlet size: ½" BSPP (other connections can be specified).
Power supply	Power Supply: 3 phase (voltage can be specified). Standard 415V, 16A
Customization	Power packs can be specified to order to meet customer requirements.